



RUTLAND COUNTY  
GARDEN FURNITURE

*Hand-Crafted*

# ASSEMBLY INSTRUCTIONS


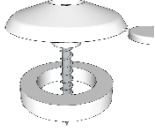

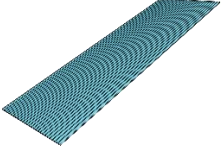
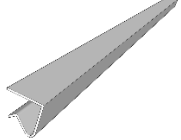
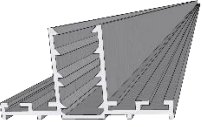
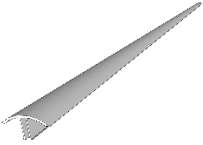
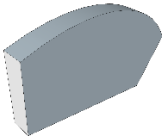
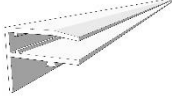

## POLYCARBONATE ROOF KIT

Before you commence the assembly process, we recommend that you read these instructions thoroughly beforehand to familiarise yourself with the assembly process and to also check that you have the correct components. If for any reason you need assistance, you can find our contact details on the final page of these instructions.

### Tools required:

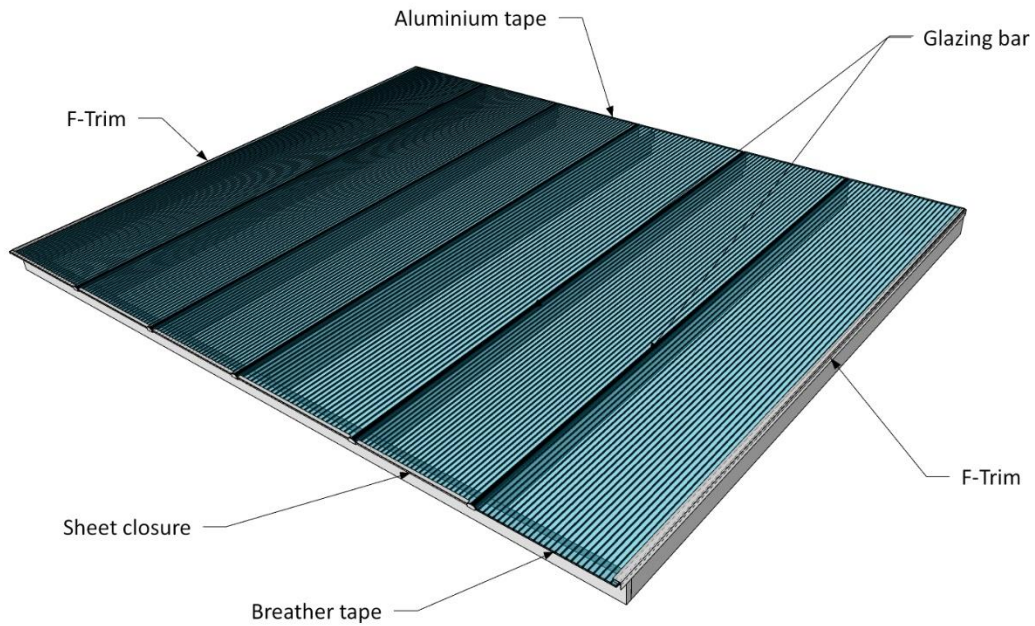
Electric drill/driver, Tape measure, Hacksaw or Angle grinder, Posidriv screwdriver, Sealant gun, Step ladder or platform.

### Component list

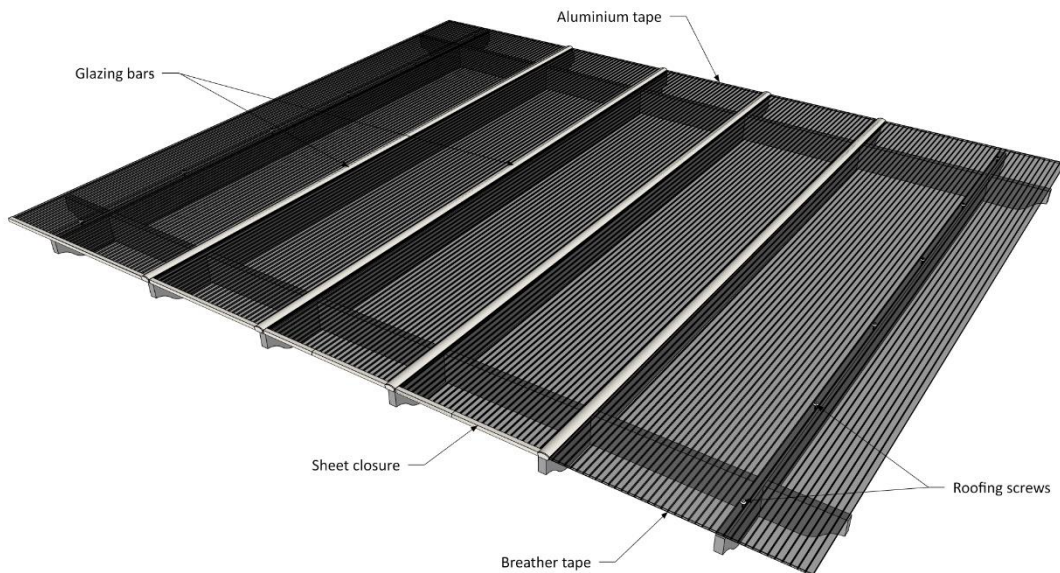
30mm & 60mm woodscrews	Button fixings	5mm & 12mm Drill bit	Roof panels	Panel closure strips
				
Glazing bar & gaskets	Glazing bar cappings	Glazing bar end caps	F trims	Silicone
				

# POLYCARBONATE ROOF KIT

## Roof configuration overview



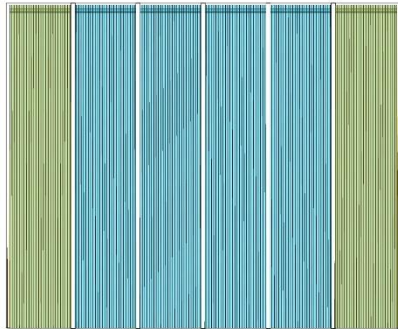
The diagram above shows the typical component layout for the **BOX, GARDEN** and **DOUBLE GARDEN** pergola roof.



The diagram above shows the typical component layout for the **PREMIUM** and **DOUBLE PREMIUM** pergola roof.

# POLYCARBONATE ROOF KIT

Individual models will feature different panel widths and layouts as summarised below.



## **Wider outer panels**

Box +27mm

Garden +27mm

Double Garden +156mm

Premium +332mm

Double Premium +462mm



## **Oversize centre panel**

6 Post Double Garden +129mm

6 Post Double Premium +129mm

# POLYCARBONATE ROOF KIT

## Glazing bar preparation

Before commencing assembly, the glazing bars, glazing bar capping and F trim (where applicable) will need to be trimmed to length. The correct length of the glazing bars and capping will be identical to the length of your supplied roofing sheets with the F trim length being 30mm less than this, to allow for the fitment of the panel end closures.

## Pre - drilling the glazing bars

Once cut to the correct length measure in 100mm from one end of the glazing bar and 160mm from the other (fig.1) then using the 5mm drill bit supplied and the central groove in the base of the glazing bar as a guide, drill a hole at each end of the glazing bar (fig. 2). Measure between the holes drilled and divide equally so that the distance is between 500-700mm for the remaining holes.

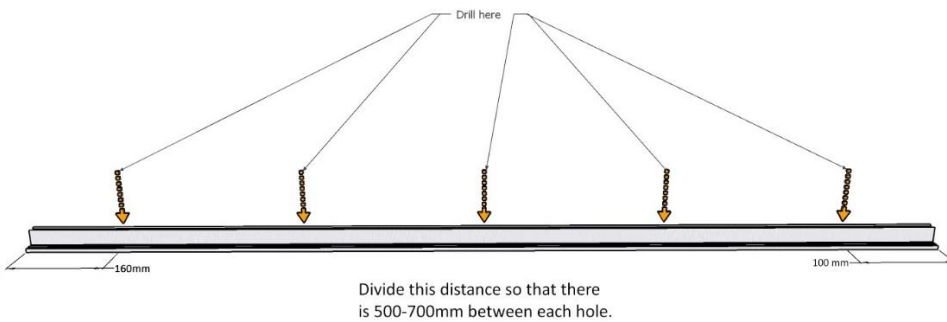
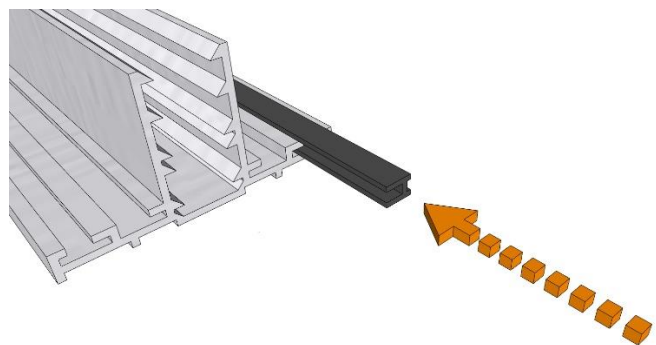


fig.1

fig 2.

## Final preparations

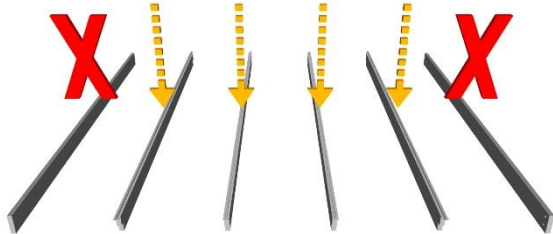
Take the supplied rubber gasket and tear it half lengthways to create the 2 mouldings required for the glazing bars and slide them into the slots on either side of the glazing bar, pulling them down its entire length.



# POLYCARBONATE ROOF KIT

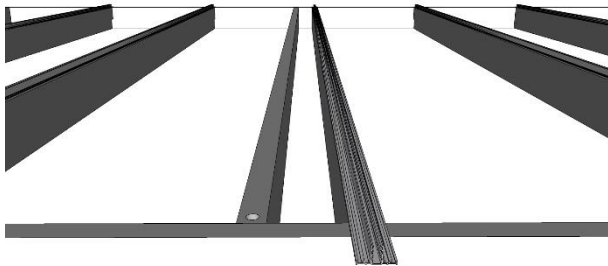
## General Assembly Guidance

### No outer bars



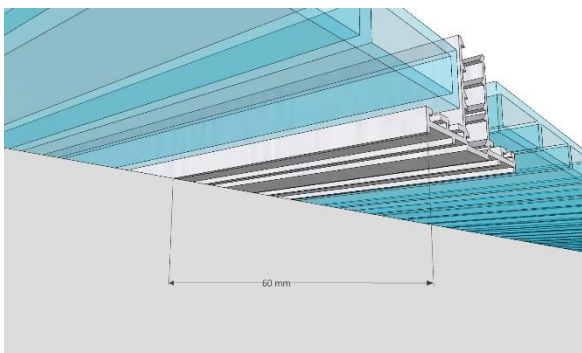
When affixing the glazing bars, **do not attach them to the outer rafters.**

### Central bar - 6 post double models



The Double Garden and Double Premium models feature 2 central rafters that fall either side of the post. Only one of these rafters requires a glazing bar (either side is permitted). **These models all come with a central panel that is 129mm wider than the other intermediate panels.**

### Overhang



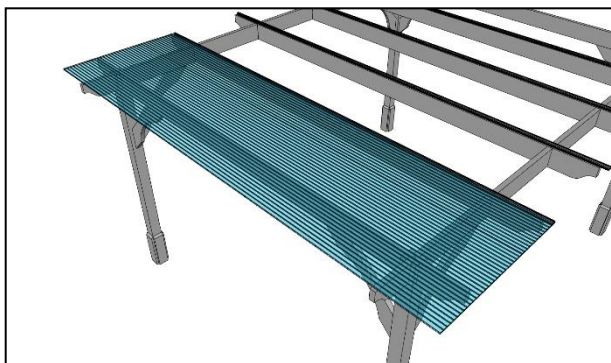
A Wall mounted pergola, carport or gazebo will have a 60mm overhang at the bottom of the slope. When attaching the glazing bars ensure that the glazing bars overhang the structure by **60mm**. A freestanding pergola, carport or gazebo will have a **60mm** overhang at both ends of the panel.

# POLYCARBONATE ROOF KIT

## Assembly Process

Double Premium and Premium models. For all other models see page 8

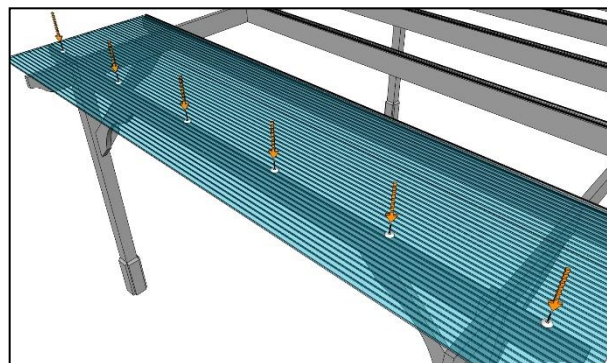
### Step 1



Fix each of the glazing bars in place, overhanging the structure by 60mm where necessary (see page 5) and running centrally down each rafter, fixing in place with the 60mm woodscrews supplied.

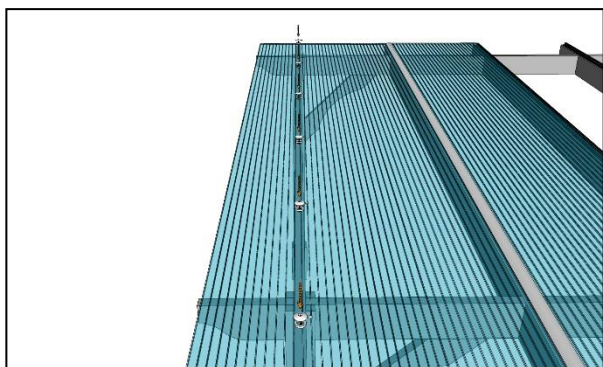
Remove the protective film from the top surface and place one of the wide, outer panels, aluminium tape at the top end of the slope, in place sitting on the glazing bar, outer edge flush with the runner ends and lower edge flush with the overhanging tip of the glazing bar.

### Step 2



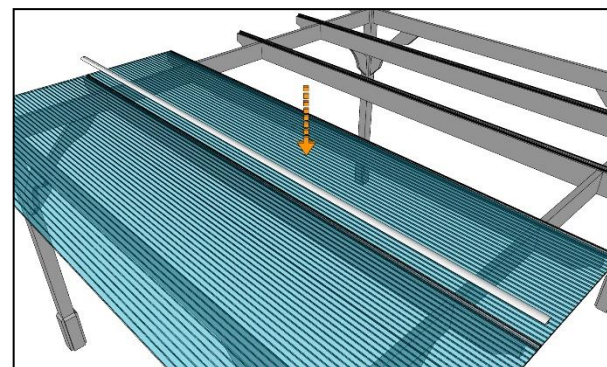
Using the supplied 12mm drill bit, drill through the panel into the rafters, starting approximately 100mm from the top edge and fix the panel into place with a button fixing. Remember to place the cap on the button fixing to prevent the ingress of water. Add another button fixing to the lower end of the panel approximately 160mm from the lower edge...

### Step 3



...and then further button fixings down the length of the rafter at equal intervals between 500-700mm apart.

### Step 4

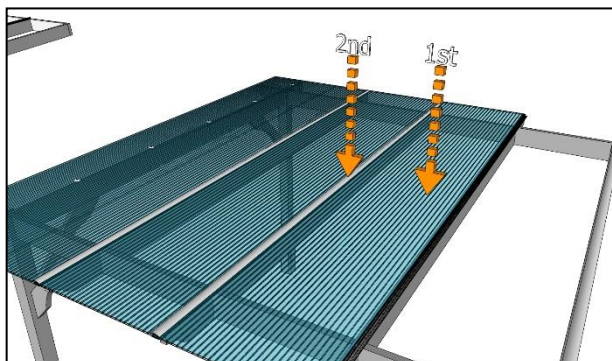


In the next "bay" along, remove the protective film from and add one of the intermediate panels. Ensure the lower edge is aligned with the tip of the glazing bar before adding the capping by firmly snapping it into place along the length along the glazing bar, keeping the ends flush with the glazing bar.

# POLYCARBONATE ROOF KIT

**Double Premium and Premium models.** For all other models see page 8

## Step 5

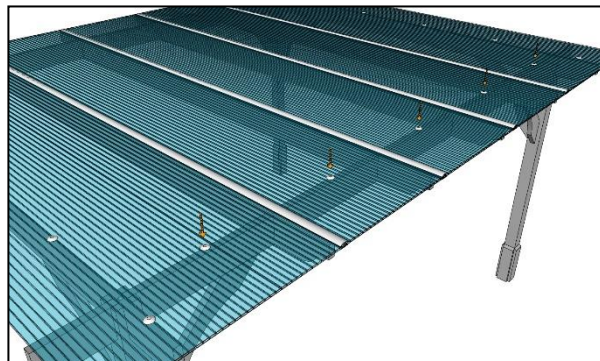


Work your way across the structure, adding a further panel then its capping, aligning each panel carefully as you go.

**Note: A 6 post double (Premium or Garden) model will have a wider panel to span the double central rafter.**

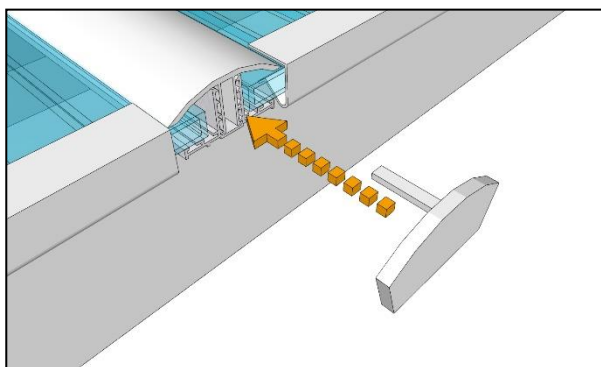
The final panel will be a second wide panel which should be fitted as in Steps 1-3 before snapping the final capping into place.

## Step 6



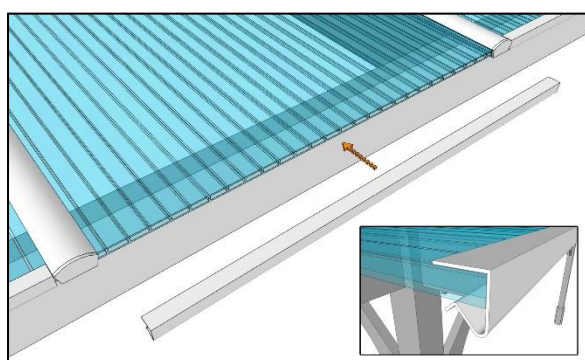
Secure the bottom edge of each panel in place. Use the supplied 12mm drill bit to drill through the panel into the runner this time, centred across the panel width and fix each panel into place with a button fixing.

## Step 7



Add a glazing bar end cap to the end of each glazing bar by simply lining up the prongs with the slots in the glazing bar end and snapping into place.

## Step 8

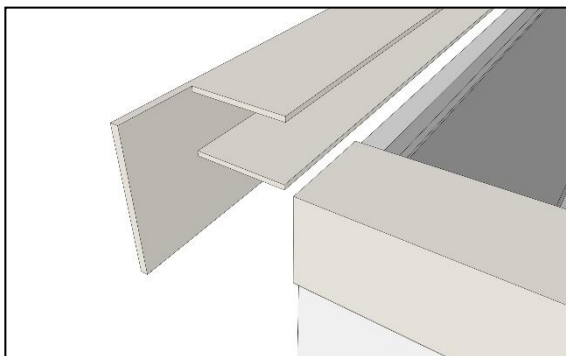


Finish off by trimming the length of supplied end closure strip to size for the end of each panel, apply bead of sealant to the underside of the top lip of the trim before sliding onto the panel end.

# POLYCARBONATE ROOF KIT

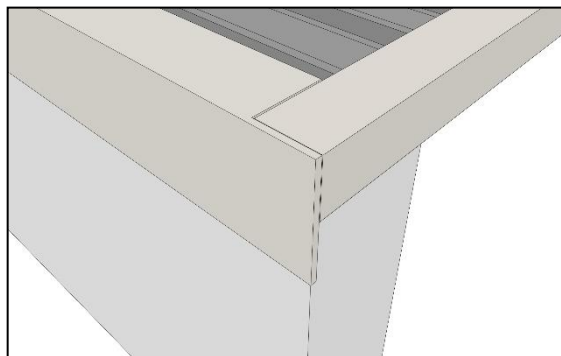
Box, Garden & Double Garden models.

## Step 1



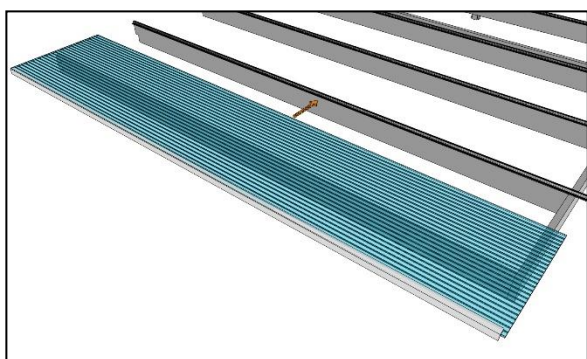
Cut your F trims to the same length as your panels then prepare the end(s) by cutting away approximately 20mm as shown with a sharp blade or hacksaw. This is only necessary at one end for wall mounted pergolas and remember to create a mirror pair, so you have one for the left and right side.

## Step 2



The F trim should fit the panel closure as shown when correctly trimmed.

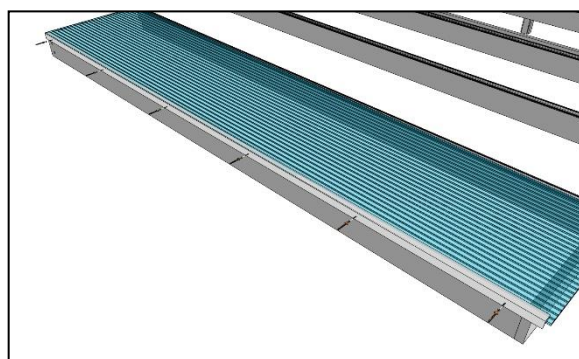
## Step 3



Fix each of the glazing bars in place, overhanging the structure by 60mm where necessary (see page 5) and running centrally down each rafter, fixing in place with the 60mm woodscrews supplied.

After removing the protective film from the top surface, place one of the wide, outer panels with its aluminium tape at the top end of the slope. Slide the F trim onto the edge of the panel so the ends finish flush with the panel ends. On a wall mounted pergola ensure you have the F trim cutaway end at the lower end of the slope.

## Step 4

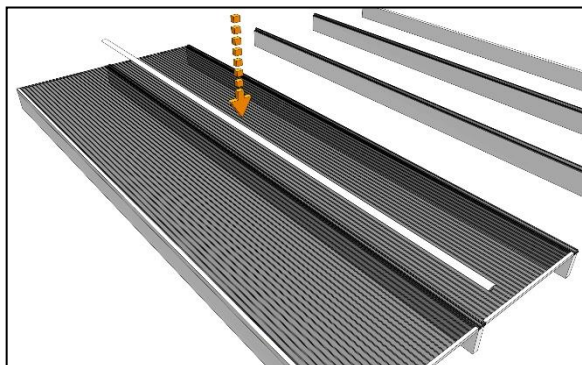


Now move the panel into place so it is on the glazing bar, the F-Trim butting up against the outer rafter and lower edge flush with the overhanging tip of the glazing bar. Fix the F-trim into place by screwing it into the rafter starting approx. 100mm from the top edge and equally spacing the remaining screws 500-700mm apart to then finish approx. 150mm from the bottom edge as shown.

# POLYCARBONATE ROOF KIT

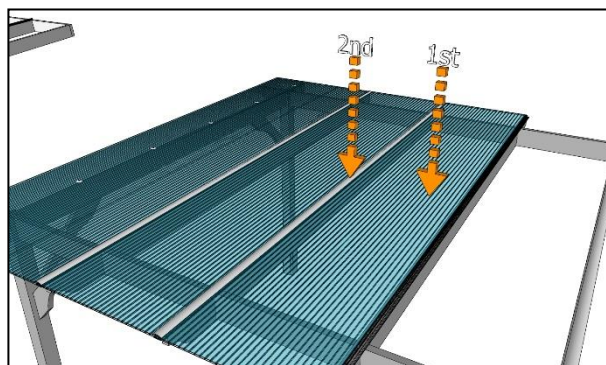
Box, Garden & Double Garden models

## Step 5



In the next “bay” along, remove the protective film from and add one of the intermediate panels. Ensure the lower edge is aligned with the tip of the glazing bar before adding the capping by firmly snapping it into place along the length along the glazing bar, keeping the ends flush with the glazing bar.

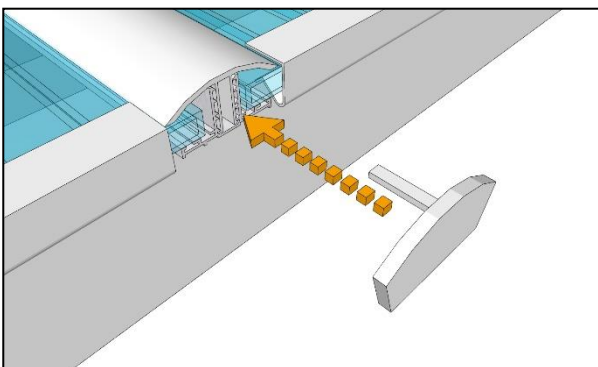
## Step 6



Work your way across the structure, adding a further panel then its capping, aligning each panel carefully as you go. The final panel will be a second wide panel which should be fitted as in Steps 1-3 before snapping the final capping into place.

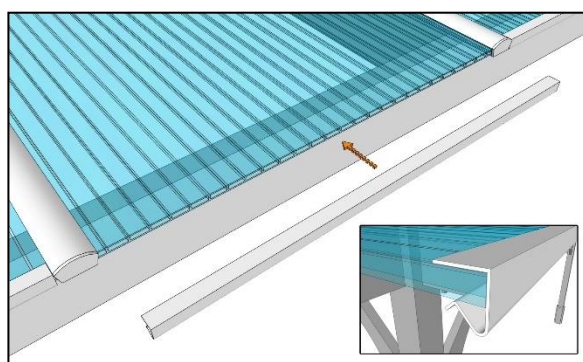
**Note: A 6 post double Garden model will also have a wider panel that spans the double central rafter.**

## Step 7



Add a glazing bar end cap to the end of each glazing bar by simply lining up the prongs with the slots in the glazing bar end and snapping into place

## Step 8

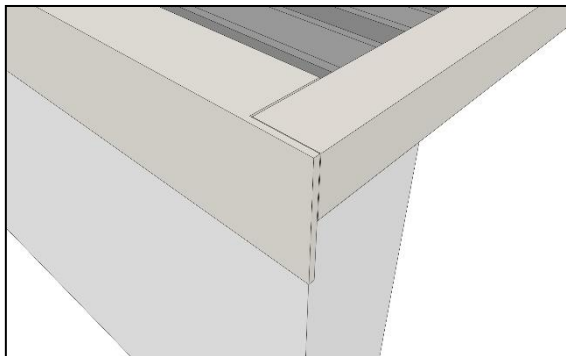


Finish off by trimming the length of supplied end closure strip to size for the end of each panel, apply bead of sealant to the underside of the top lip of the trim before sliding onto the panel end.

# POLYCARBONATE ROOF KIT

Box, Garden & Double Garden models

## Step 9



When fitting the panel end closure, trim the outer panel pieces so that they end flush with the outer face of the F-Trim.

## We're here to help

Should you need any assistance whilst fitting your polycarbonate roof kit we're here to help.

Telephone: 01780 440 803

Email: [info@rutlandcountygardenfurniture.co.uk](mailto:info@rutlandcountygardenfurniture.co.uk)