



RUTLAND COUNTY  
GARDEN FURNITURE

*Hand-Crafted*

# ASSEMBLY INSTRUCTIONS

## THE CLIPSHAM GAZEBO

Before you commence the assembly process, we strongly recommend that you read these instructions thoroughly beforehand to familiarise yourself with the assembly process and to also check that you have the correct components. If for any reason you need assistance or you believe anything is missing, you can find our contact details on the final page of these instructions.

As with all DIY projects ensure that all necessary health and safety precautions are taken such as, but not limited to, the wearing of gloves, goggles, masks and appropriate footwear – particularly if you intend to use power tools. For safety reasons, you will also need a stable platform or scaffold tower to complete this project.

If for any reason you don't feel confident in completing this project, we would recommend consulting a qualified professional to undertake the work.

### **Tools required:**


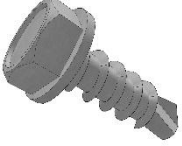
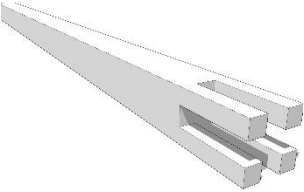
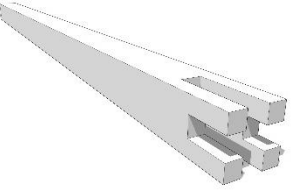
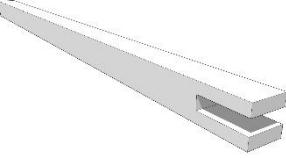
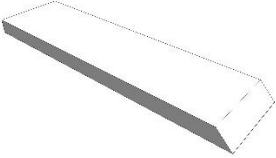
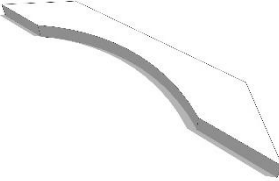
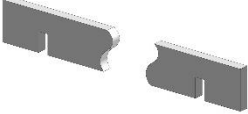
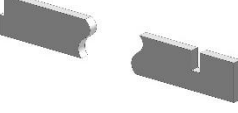
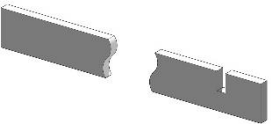
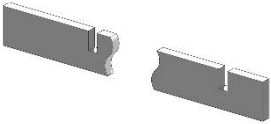
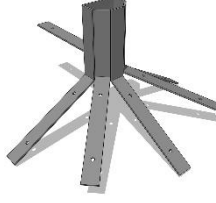
No2 Pozidriv screwdriver (an electric driver is highly recommended), Measuring tape, Scissors or craft knife, Hammer, Spirit level or Laser, Craft knife, 10mm socket or drive bit, pencil or chalk.



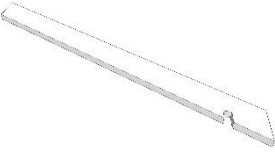
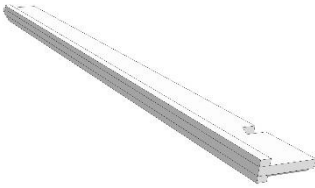
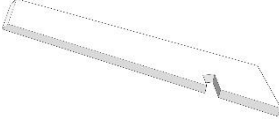
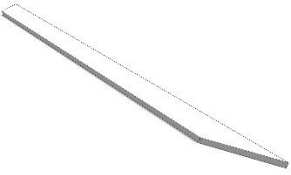
THE CLIPSHAM GAZEBO


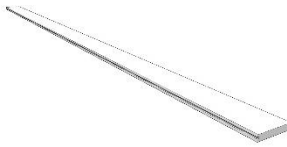
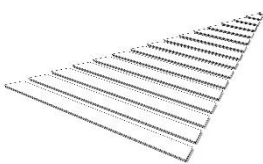
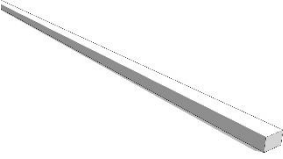
# THE CLIPSHAM GAZEBO

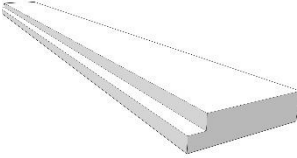
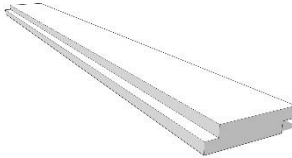

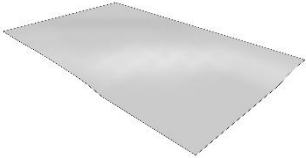
## Component List

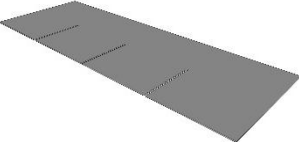
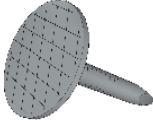

Woodscrews – 40, 50, 60, 70 & 90mm	Coach screws – 50, 70, 120 & 200mm	Double slot posts	Staggered Double slot post
			
Single slot posts	Cladding panels	Braces	Frame rafters
			
Notched Half runners	Plain end runner	Double notch runner	Half Spider
			

# THE CLIPSHAM GAZEBO

Intermediate rafters	End rafters x 6	Jack rafters	Hip joists
			

Ridge	Straight cut T&G slats	Corner tongue and groove (T&G) slats	Batten (Optional)
			

Bottom/Top wall slats (Optional)	Wall slats (Optional)	Railings	Underlay
			

Roof shingles	Clout nails	Sealant
		

Rutland County Garden Furniture Ltd, Ashbourne House, 2 Dovecote Meadows,  
Aslackby, Sleaford, Lincs, NG34 0HZ.  
Company No: 11025348 VAT No: 282569762

# THE CLIPSHAM GAZEBO

## Preparation

### Preparation

Before commencing assembly make sure that the area where you are erecting your gazebo is suitably prepared, solid and level. Work out how you will orientate the gazebo in terms of the panelled and non-panelled sides as this will affect the placement position of the braces during the early construction stages. The instructions show the process for a gazebo as shown on the cover, but the panelled end can be on the left or right.

We strongly recommend that you consider fixing your structure to the ground by concreting the posts in or using suitable feet. The positions of any post holes that are required can be worked out from the positions of the notches on the frame rafters and half runners and should be at least 400mm deep.

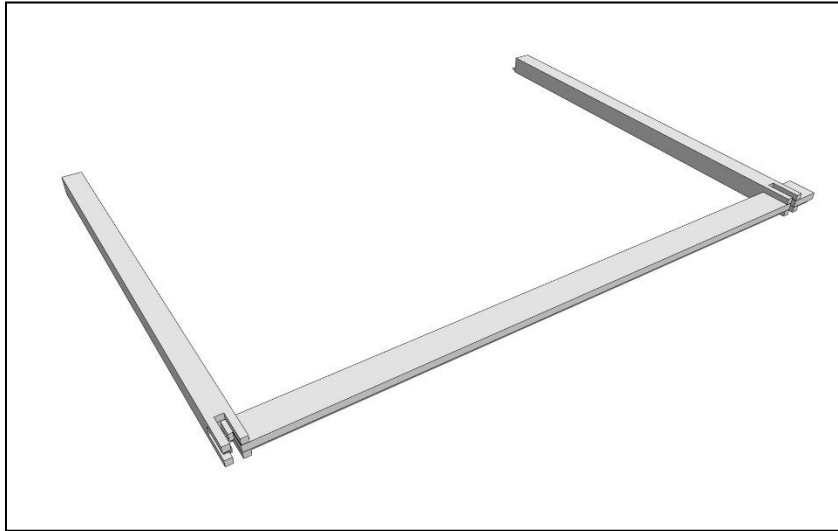
The posts are supplied at 2.7M in length and if necessary, should be trimmed to the correct length before commencing assembly. Bear in mind that you will typically want around 2.1m between ground level and the underside of the runners so, using this height as an example, if we were simply placing the gazebo on the ground then by adding 140mm (the depth of the runners/rafters) to the 2.1M height we would end up with a total post length of 2240mm. If we were to then concrete the posts into the ground to a depth of 400mm we would add this to the previous calculation to give a new total post length of 2640mm. If you are installing wall sections to your gazebo, bear in mind that trimming the posts will also affect the wall height.

To prolong the longevity of sawn posts it is also well worth considering the treatment of any sawn ends and/or using Postsavers.

During construction of the gazebo there will be occasions where several components need to be moved into position, supported or aligned and you *will* need several assistants to help with this task, please do not attempt to undertake assembly on your own!

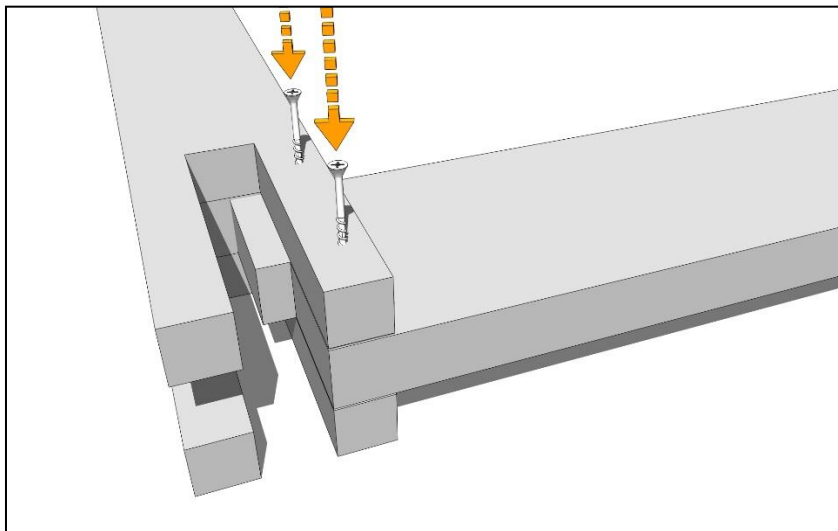
# THE CLIPSHAM GAZEBO

## Build Step 1



Start by laying out a Notched Half runner and 2 Double slotted posts as shown to make a “goalpost” structure, slotting the ends of the runner into the post slot and arranging the timbers at right angles.

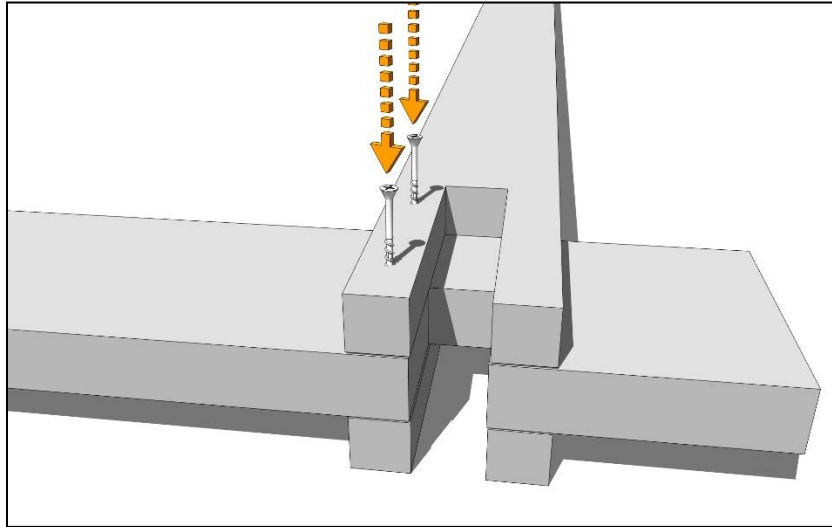
## Build Step 2



Ensure the slot in the post is properly aligned with the end with the 17mm overhang as shown here before fixing in place with a pair of 60mm screws.

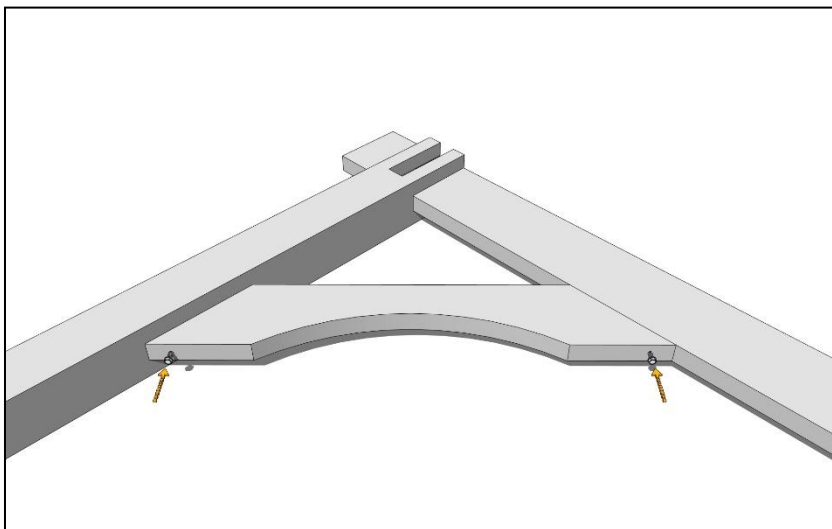
# THE CLIPSHAM GAZEBO

## Build Step 3



Now align the slots at the other end as shown above and again fix in place with a pair of 60mm screws.

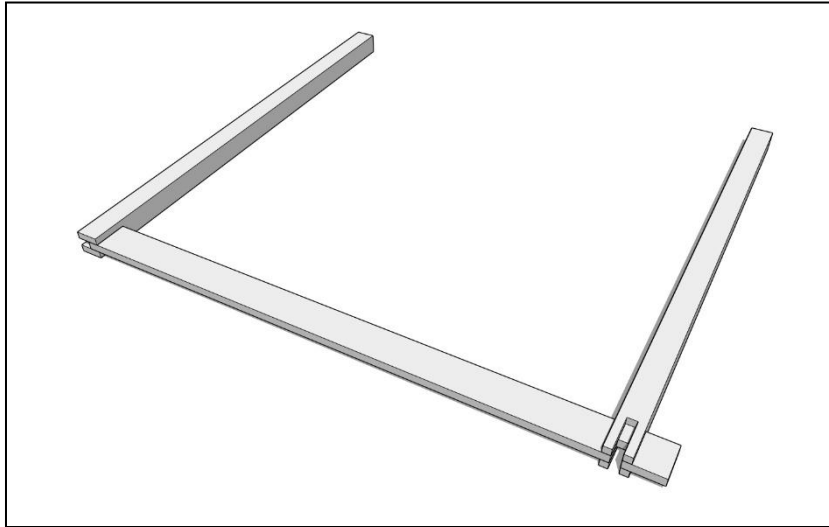
## Build Step 4



Add braces to both end of the “goalpost” where the posts meet the Half runner, aligning the braces with the underside of the runner and flat against the post before securing in place with a 70mm coach-screw through each end.

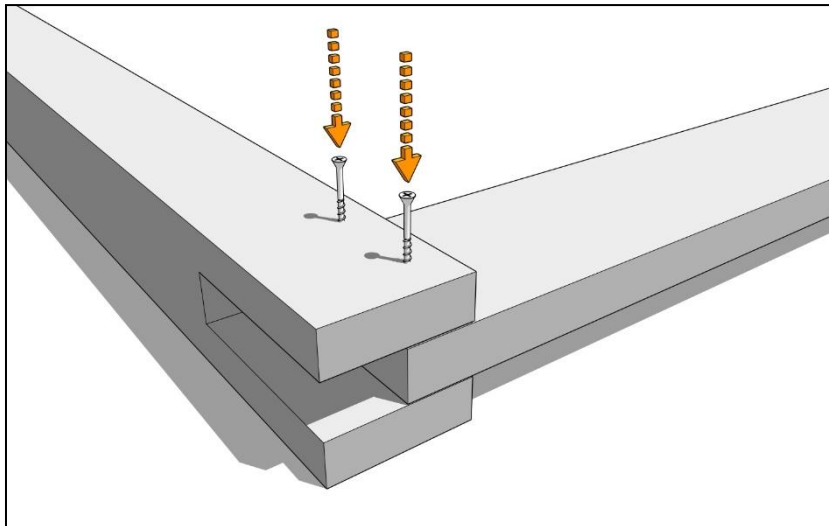
# THE CLIPSHAM GAZEBO

## Build Step 5



Now take the single slot post, a double slot post and the Plain end runner and build a structure as shown above.

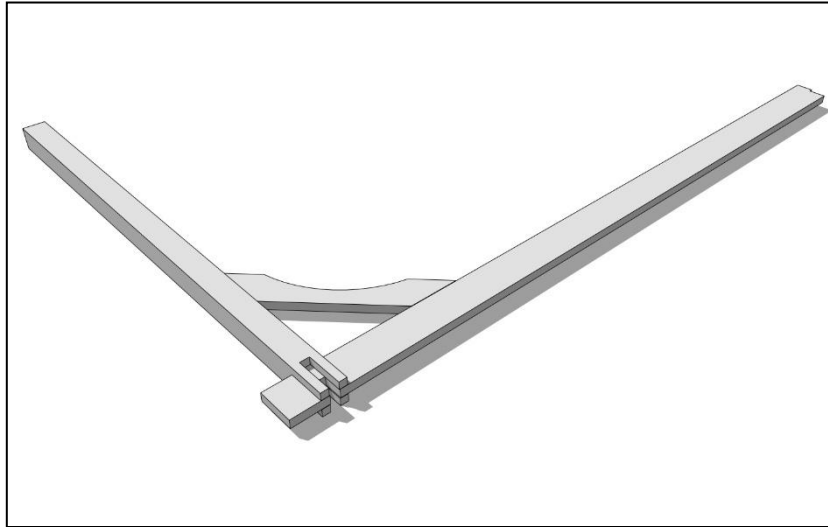
## Build Step 6



Ensure the end of the single slot post is properly aligned with the end of the plain runner as shown here so that only half of the slot remains empty before fixing in place with a pair of 60mm screws. Line up the notch at the other end of the runner with the notch in the post and fix in place with another pair of 60mm screws. Affix a brace to each end as before.

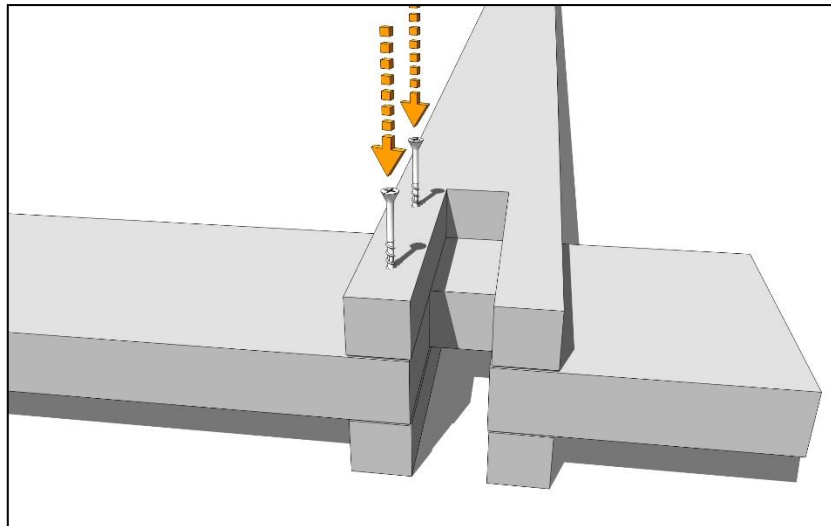
# THE CLIPSHAM GAZEBO

## Build Step 7



Now take a double slot post, a Notched Half runner and a brace and build a structure as shown above...

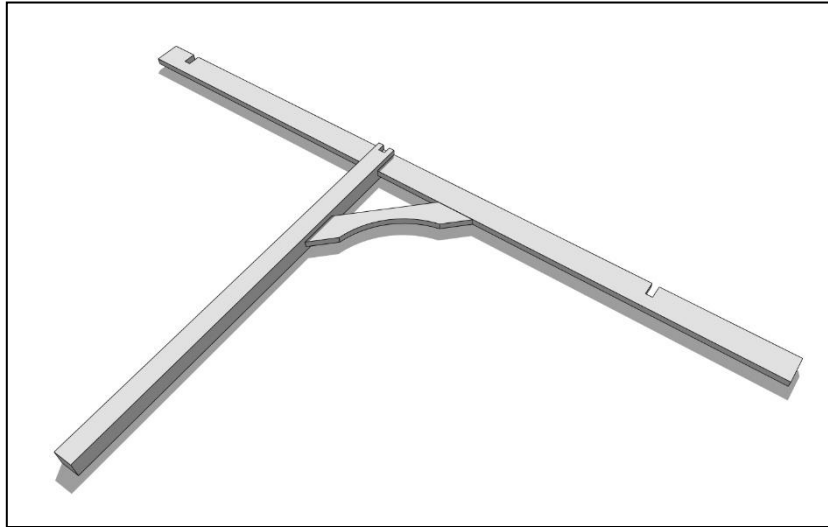
## Build Step 8



...ensuring the notch is properly aligned with the post as shown here before fixing in place with a pair of 60mm screws and adding the brace.

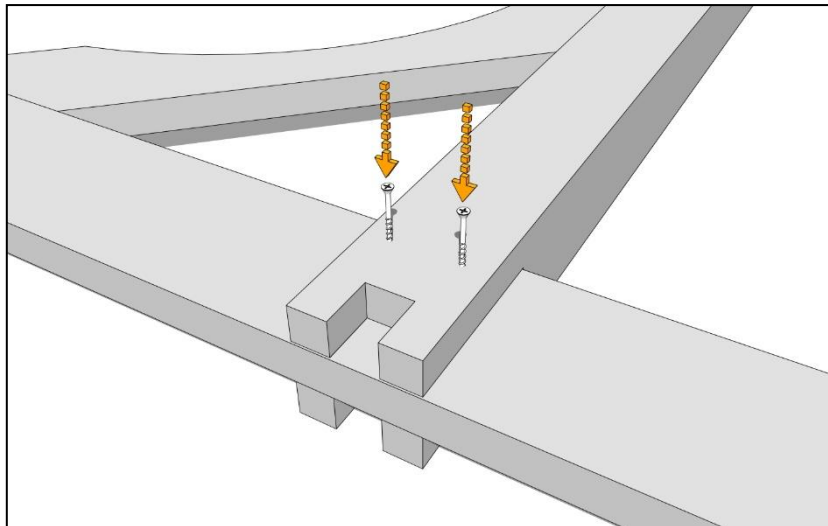
# THE CLIPSHAM GAZEBO

## Build Step 9



Use a staggered double slot post and the double notched runner to make the final post assembly as shown here. Align the post with the markings on the runner and **ensure that the smaller post slot will be facing the interior** of the gazebo once in place.

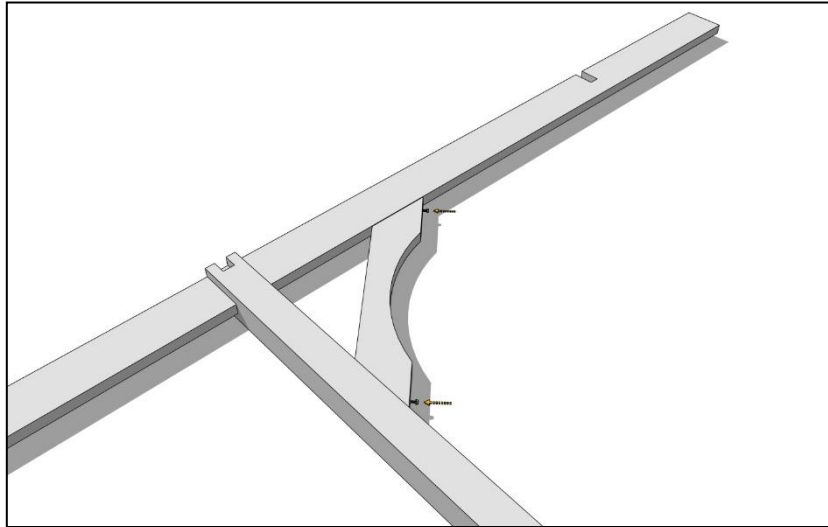
## Build Step 10



Now secure in place with a pair of 60mm screws either side of the notch as shown here.

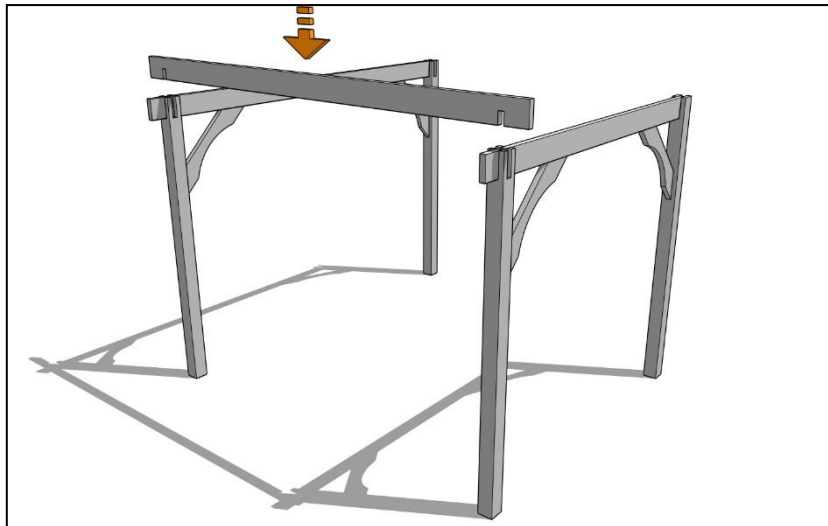
# THE CLIPSHAM GAZEBO

## Build Step 11



Add a brace between the post and the longer side of the tee as shown.

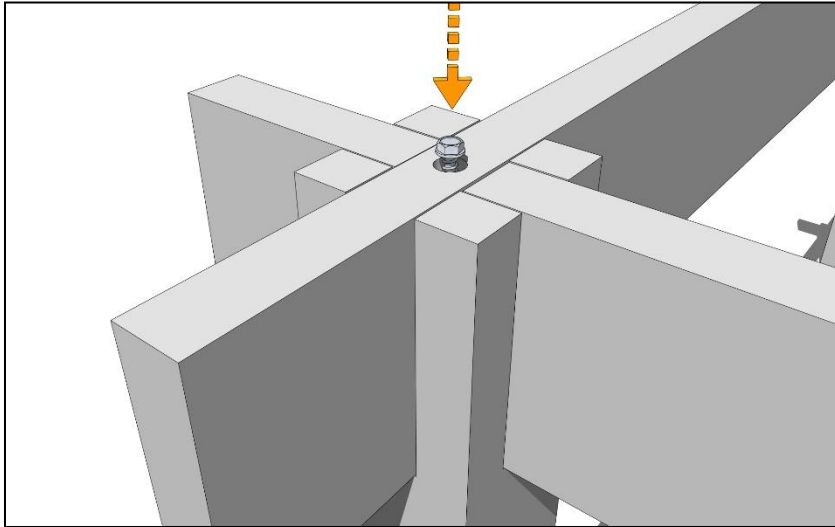
## Build Step 12



Move the two “goalpost” assemblies from steps 1 and 5 into position as shown, with the longer structure from Step 1 toward the rear of the assembly and the overhanging ends opposite each other as shown. Ensure they are properly aligned before lowering a Frame rafter into the notches at the overhang end of the runners.

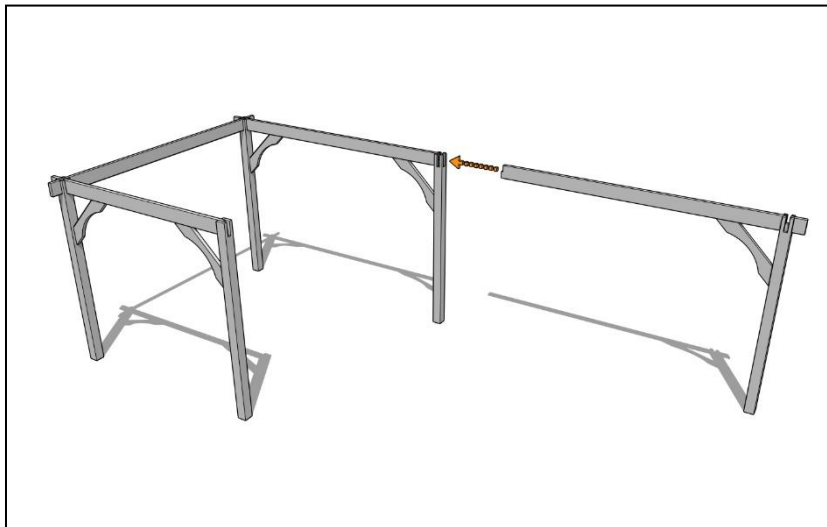
# THE CLIPSHAM GAZEBO

## Build Step 13



Secure each end of the Frame rafter in place with a 200mm coach-screw driven down through the rafter and runner into the post.

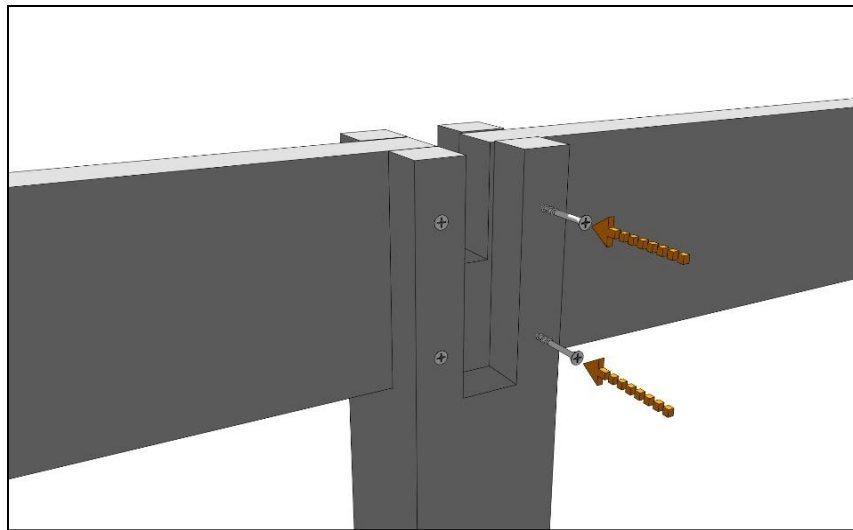
## Build step 14



Take the assembly built in step 7 and slide the end with the 17mm notch into the post slot as shown above...

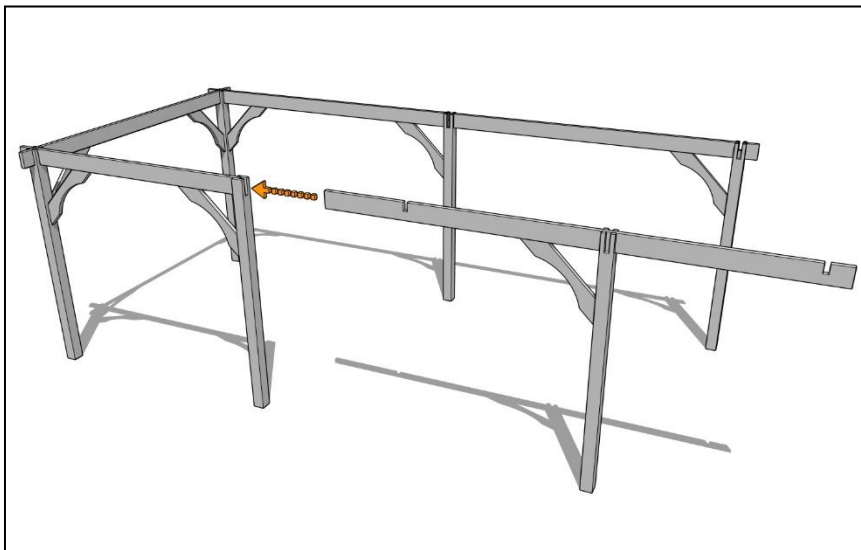
# THE CLIPSHAM GAZEBO

## Build Step 15



...until it butts up against the other Half runner. Now fix into place with a pair of 60mm woodscrews.

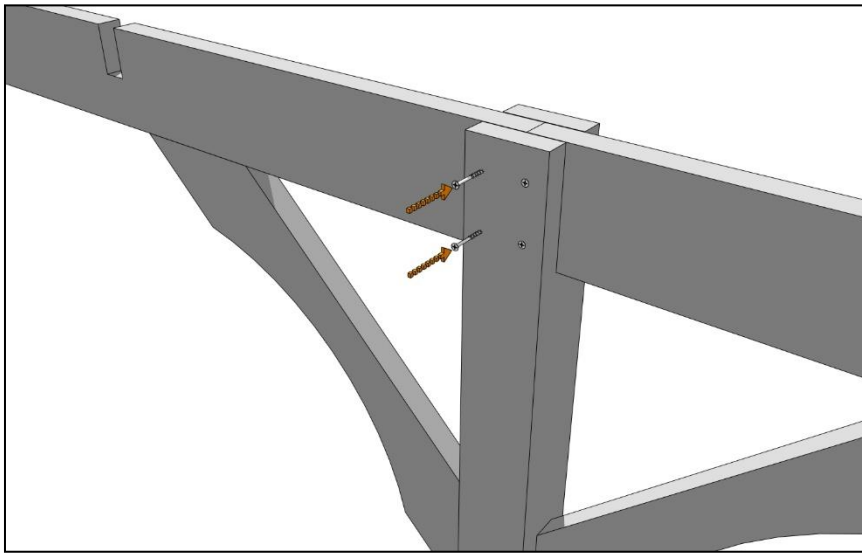
## Build Step 16



Take the remaining structure from step 9 and slide the plain end into the notch in the single slot post as shown.

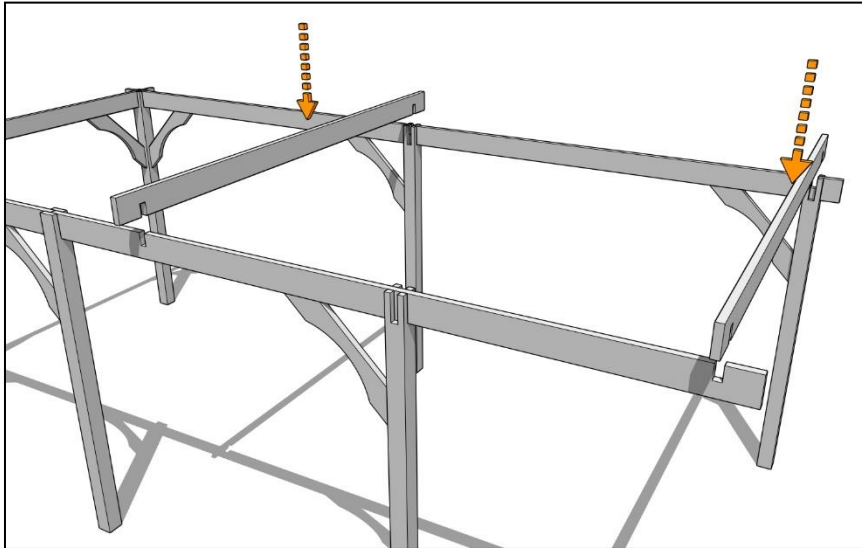
# THE CLIPSHAM GAZEBO

## Build Step 17



Secure the end of the runner in place with a pair of 60mm screws.

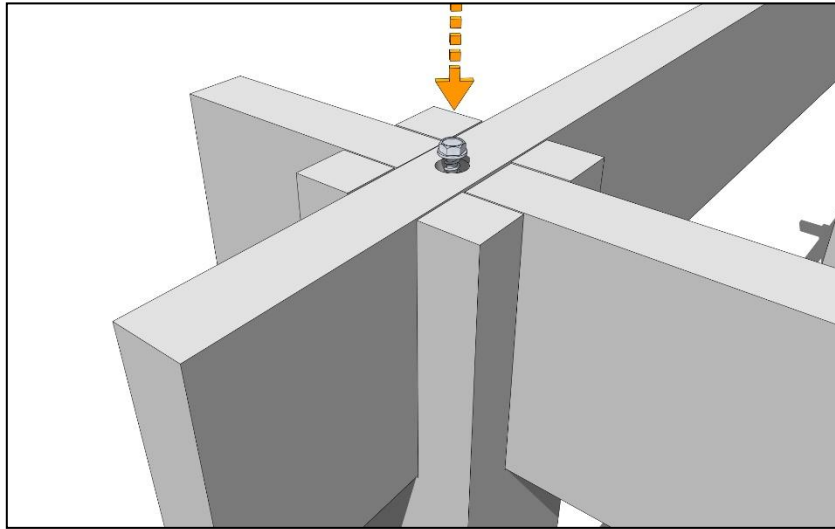
## Build Step 18



Now drop the 2 remaining Frame rafters into place as shown, one across the middle of the structure and the other across the end with only one post.

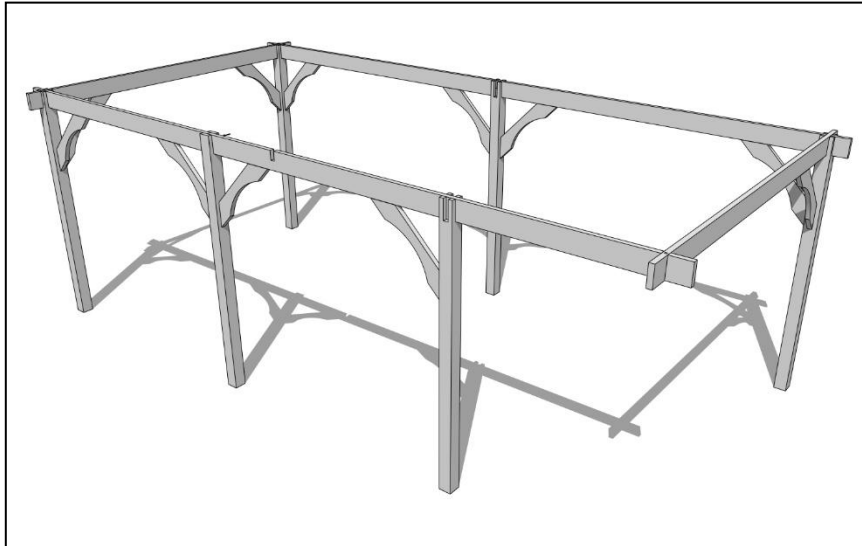
# THE CLIPSHAM GAZEBO

## Build Step 19



Fix the cross rafters into place where there is a post with 200mm coach screws. Where the central cross rafter slots onto the runner between two posts use a 120mm coach screw. Leave the corner with no post as it is for now.

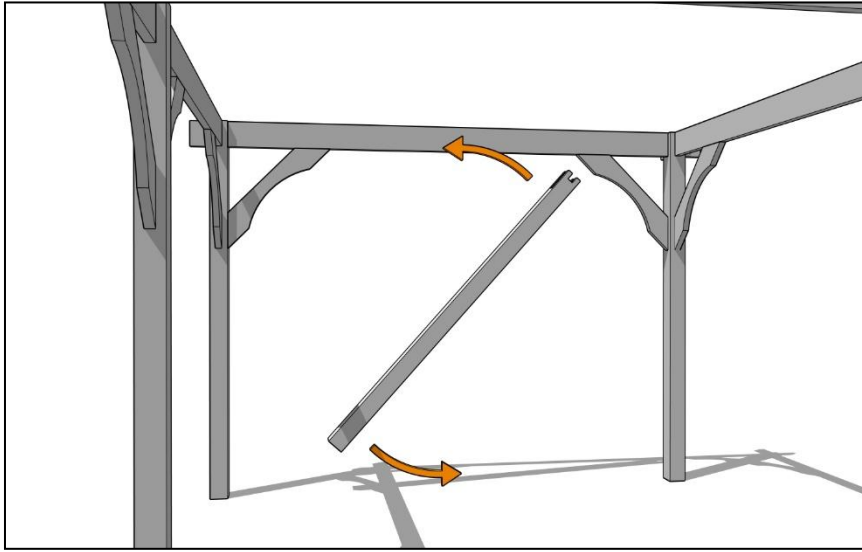
## Build Step 20



Add any remaining braces at the posts as necessary to keep structure square.

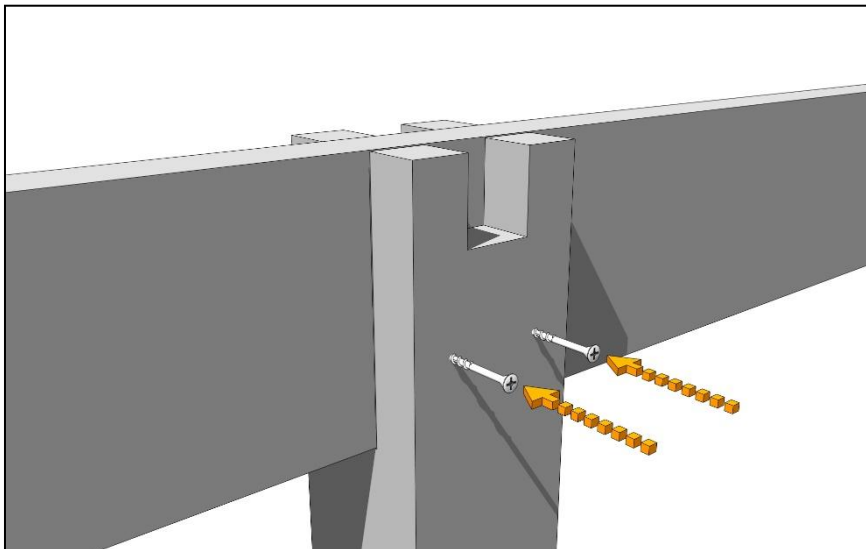
# THE CLIPSHAM GAZEBO

## Build Step 21



Now we can add the intermediate posts. The positions for these are marked on the runners/ rafters. Start by adding the posts at the ends of the structure. These will be Staggered Double slot posts and the shortest notch will be located on the inner face of each Frame rafter. Tilt the post over as shown here and rotate into place whilst guiding the slot onto the rafter until it is vertical and aligned with the markings on the frame rafter.

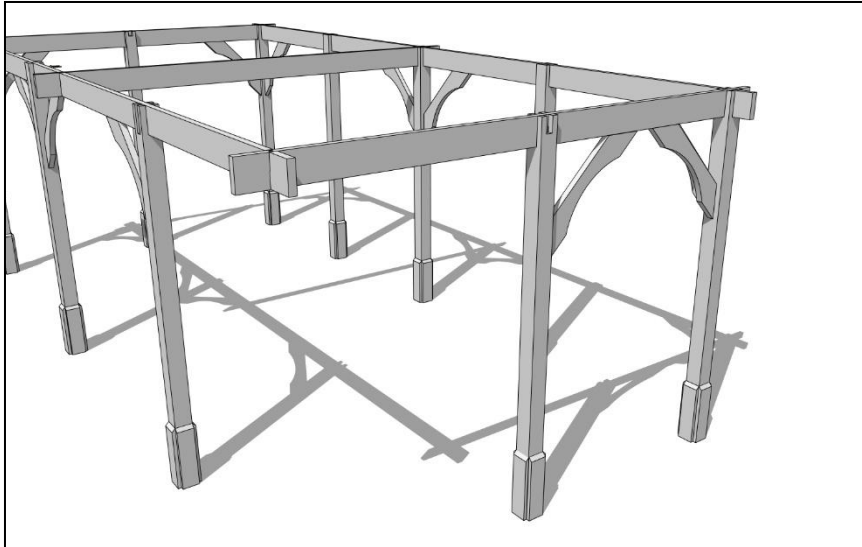
## Build Step 22



Use a level to make sure everything is correctly aligned and then fix the post in place with 2 x 60mm screws.

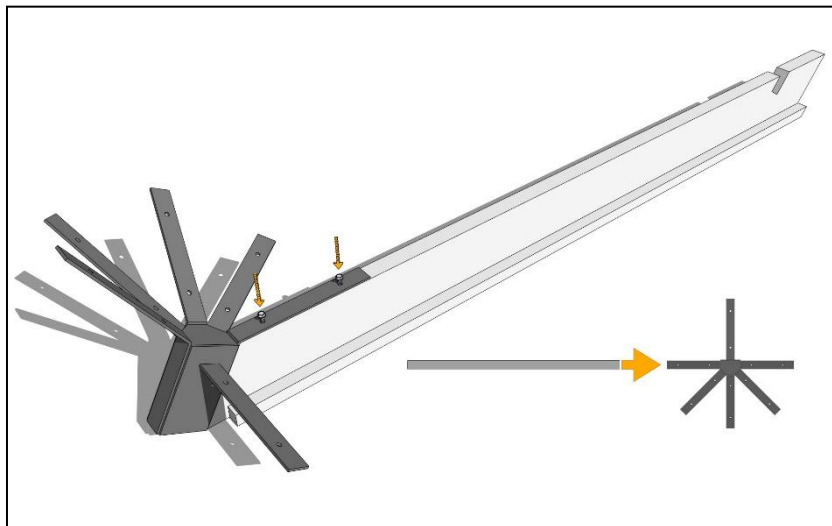
# THE CLIPSHAM GAZEBO

## Step 23



Add the two final intermediate single slot posts along what will be the back wall of the structure, aligning them with the markings on the runners and securing each in place with a pair of 60mm screws as in Step 22.

## Step 24

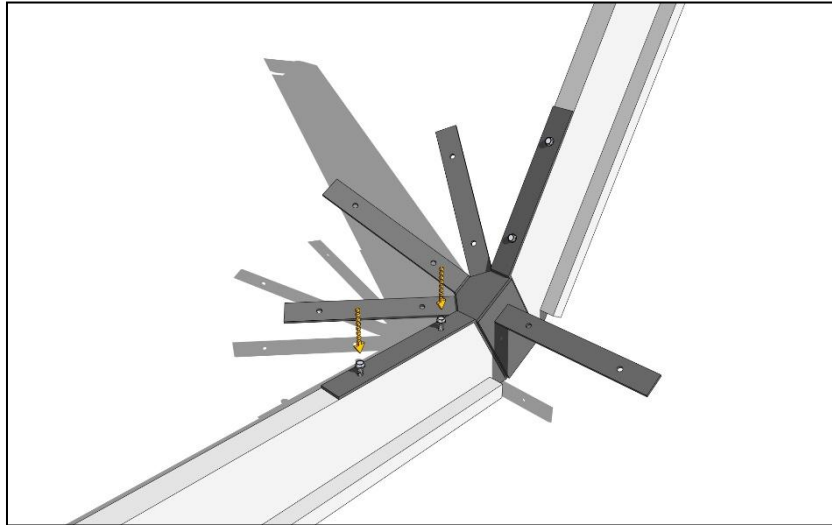


Take one of the End rafters, of which there are six and they are very slightly longer than the intermediate rafters and have battens pre-attached. Lay it on the ground as shown above and then align the correct half spider leg (see inset) butted up the hub of the spider and screw into place with a pair of 70mm coach-screws.

Rutland County Garden Furniture Ltd, Ashbourne House, 2 Dovecote Meadows,  
Aslackby, Sleaford, Lincs, NG34 0HZ.  
Company No: 11025348 VAT No: 282569762

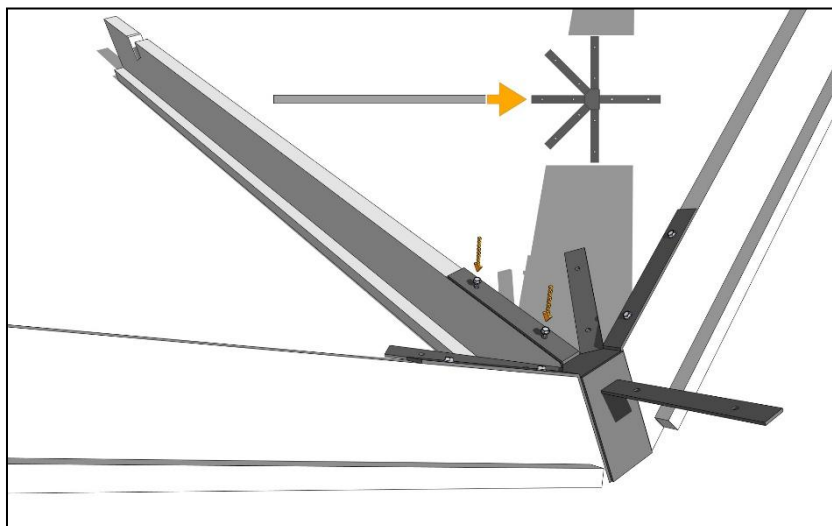
# THE CLIPSHAM GAZEBO

## Step 25



Add a second End rafter to the opposite leg of the spider in the same way.

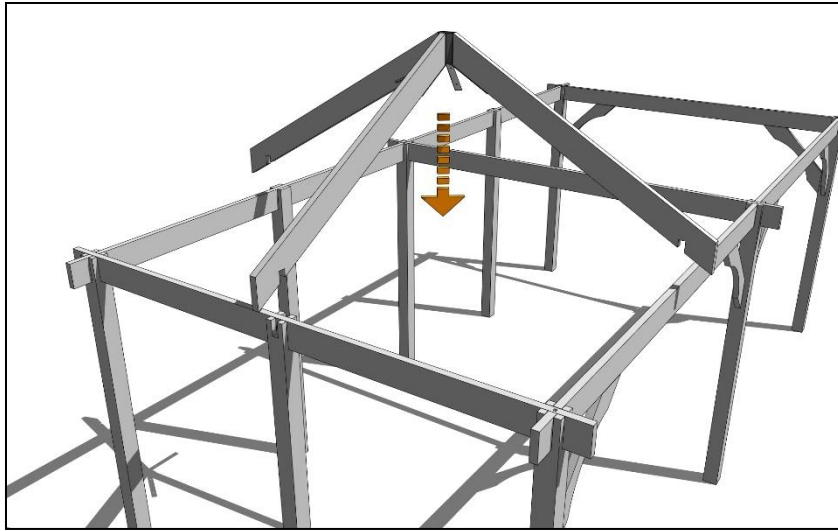
## Step 26



Lay a third End rafter on the ground and get a pair of assistants to hold the spider structure in place as shown above whilst the rafter is secured in place. Build the other end using the remaining spider and rafters in the same way.

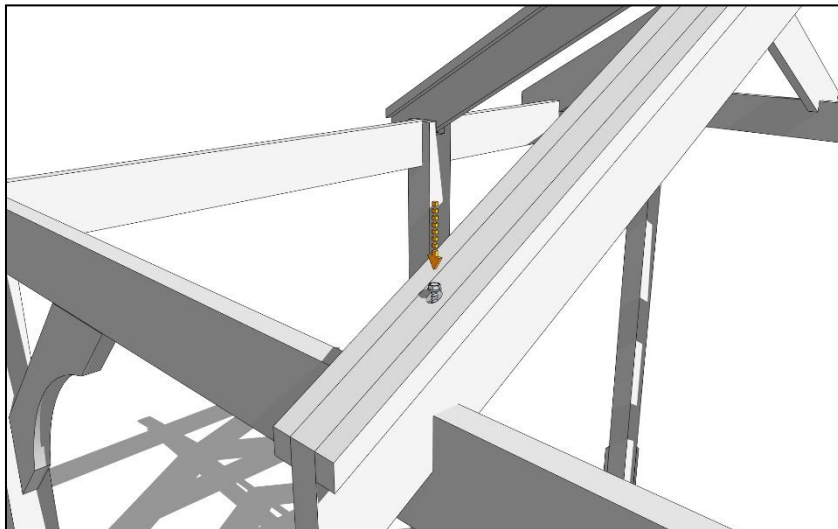
# THE CLIPSHAM GAZEBO

## Step 27



Carefully invert the End rafter structure completed in the previous stage and using you assistants lift it into place as shown here. Lower the slot in the rafter end into the slot in the intermediate post top(s) whilst aligning the other rafter with the markings on the runner(s).

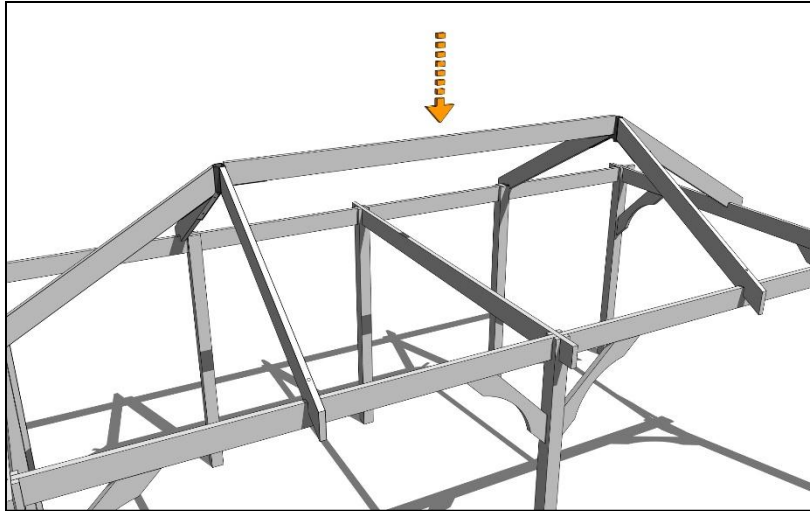
## Step 28



Now secure each of the rafters in place with a 200mm coach-screw. Repeat from step 24 onwards and add the other end of the structure.

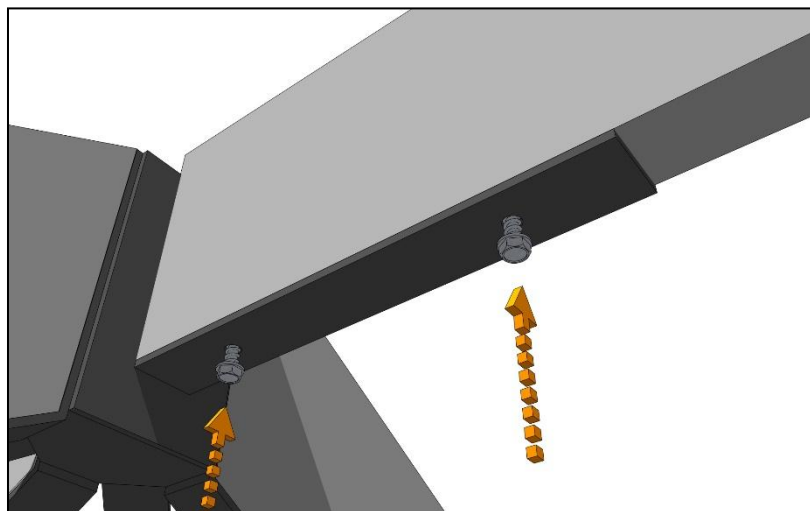
# THE CLIPSHAM GAZEBO

## Step 29



Now lower the ridge into place, aligning it with the brackets...

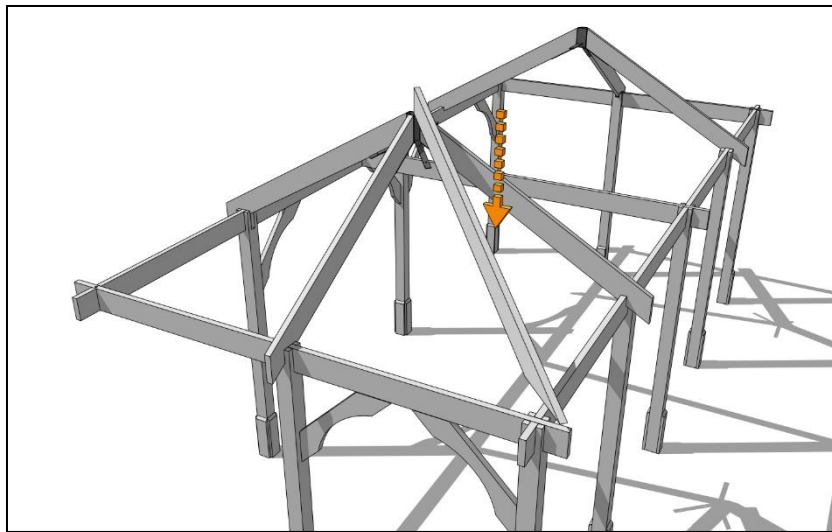
## Step 30



...and fix it in place with 2 x 70mm coach-screws at each end.

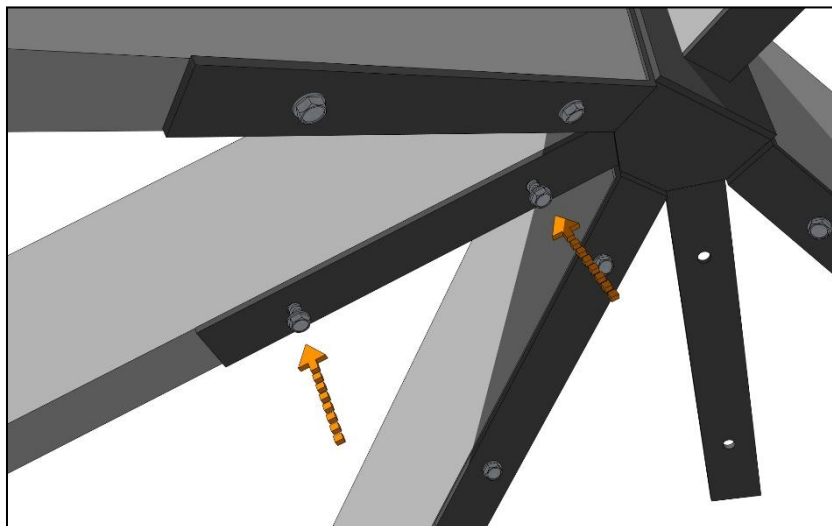
# THE CLIPSHAM GAZEBO

## Step 31



Now add the hip joists to the corners. The hip joist for the open, post-less corner will be marked with a star and the lower fixing hole will be slightly further up the joist than the others. Start adding joists by lowering the appropriate end onto one of the remaining spider legs.

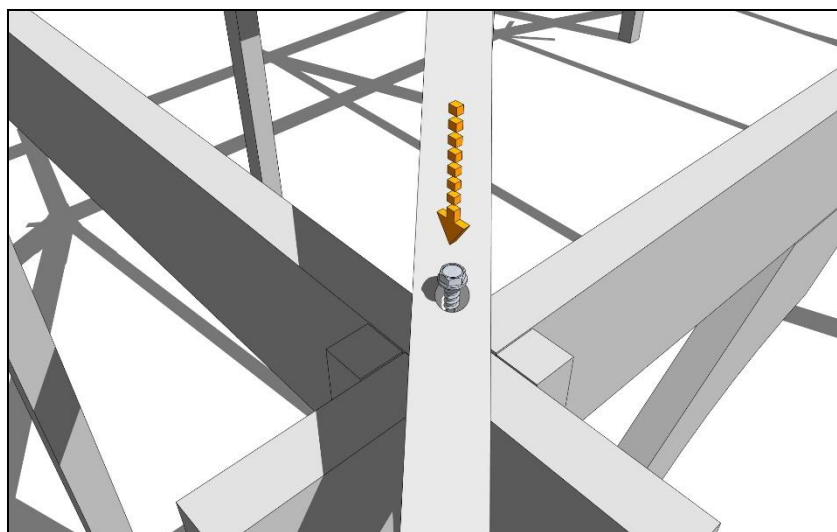
## Step 32



Fix the end at the spider in place with 2 x 70mm coach-screws.

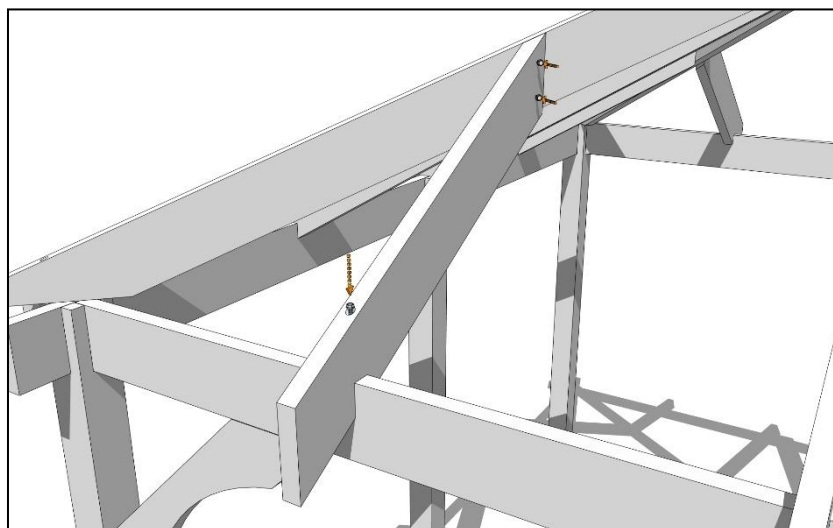
# THE CLIPSHAM GAZEBO

## Step 33



Align the lower end so that it sits centrally on the post top as shown here and fix into place with a 200mm coach-screw driven down into the posts through the pre-drilled hole. Add the remaining hip joists. The open corner post-less joist fixes into place through the rafter and runner.

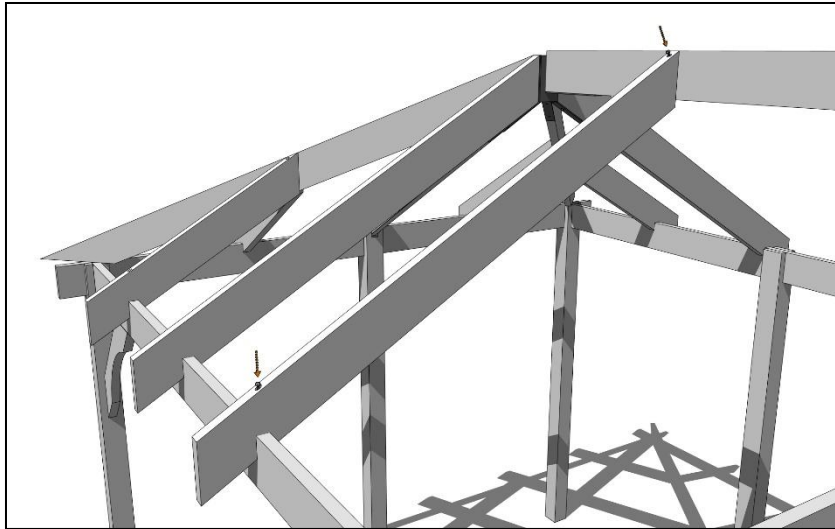
## Step 34



Add a jack rafter to the corner of the structure. Start by ensuring that the top edge butts up against the hip joist correctly and then align the lower end notch with the markings on the horizontal runner/rafters. Once correctly aligned, fix the top end in place with 2 x 50mm coach screws driven into the end rafter and the lower end with a 200mm coach-screw down into the Half runner.

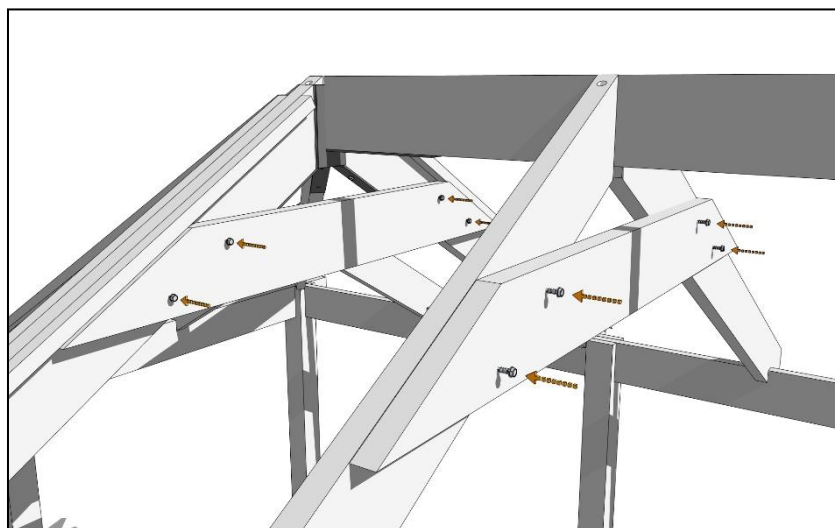
# THE CLIPSHAM GAZEBO

## Step 35



Once the 8 jack rafters are in place, add the intermediate rafters. Align each one with the markings on the runner and ridge before securing in place with a 70mm coach screw at the ridge and a 200mm coach-screw at the notch end.

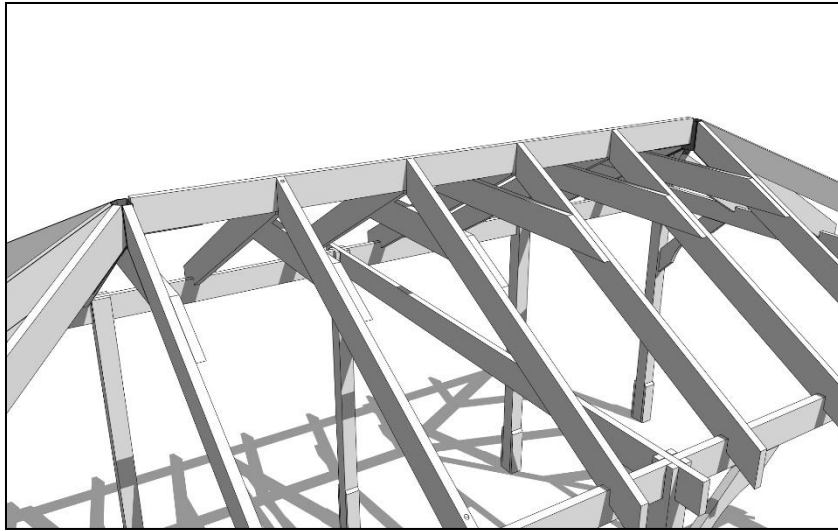
## Step 36



Now add the collar beams. Viewed from the centre of the structure, the collar beams will be installed on the inner face of the rafter as shown here and on step 37. Align each one horizontally across the roof rafters, ensuring the cut angles are flush with the rafter tops before securing into place with a pair of 50mm coach-screws through each end.

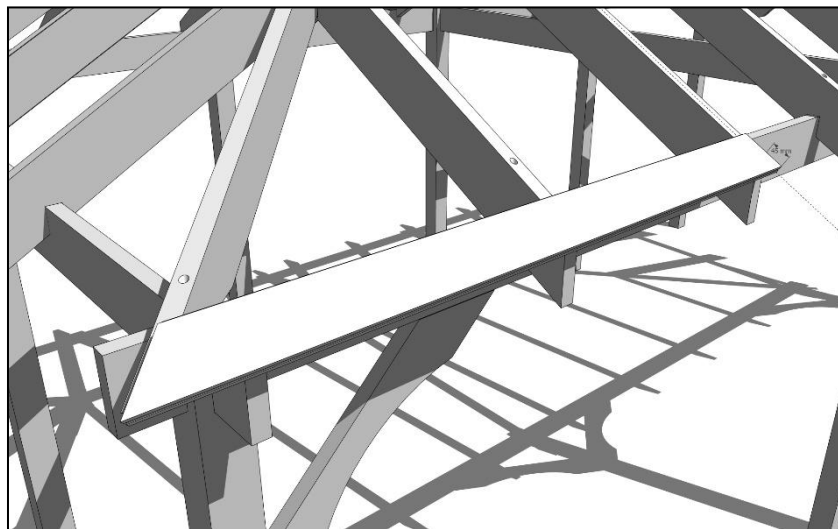
# THE CLIPSHAM GAZEBO

## Step 37



Collar beams installed – note the location on the inner face of the rafters as viewed from the centre of the ridge.

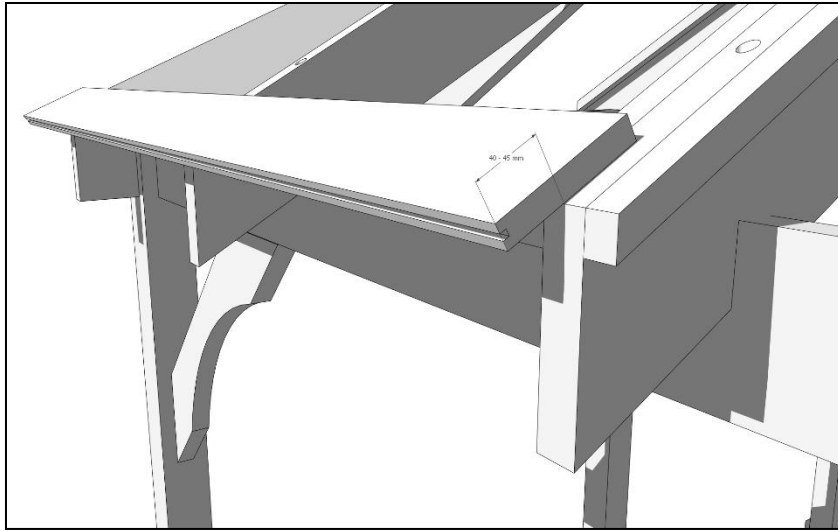
## Step 38



Take one of the longest corner T&G slats and align it with the bottom corner of the structure so that it covers 50% of the hip joist and the other end 50% of the rafter.

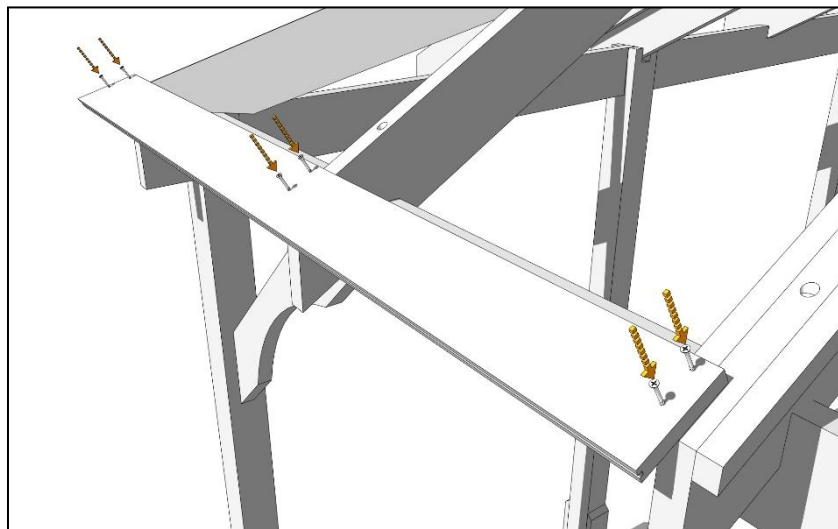
# THE CLIPSHAM GAZEBO

## Step 39



There should be about 40-45mm overhanging the rafter when correctly aligned.

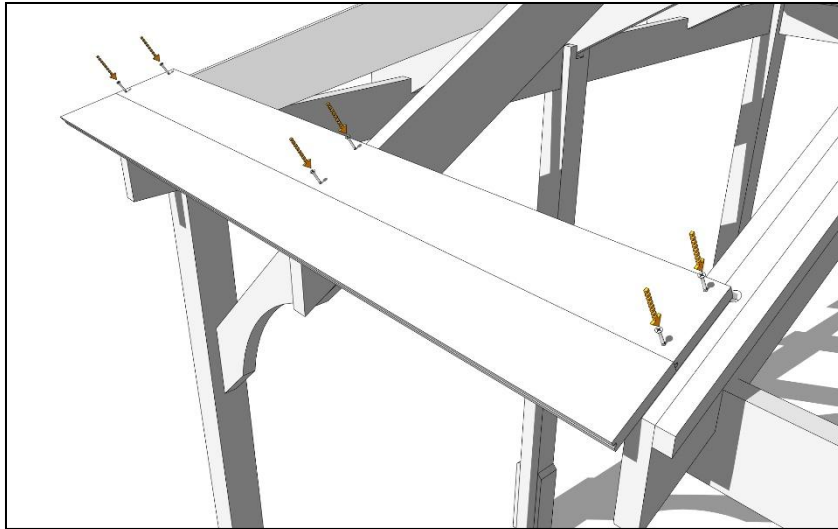
## Step 40



Once you are satisfied the slat is correctly aligned, fix into place with a pair of 40mm screws at each end and through the jack rafter (as you work your way up the roof the screws into the jack rafter will become unnecessary).

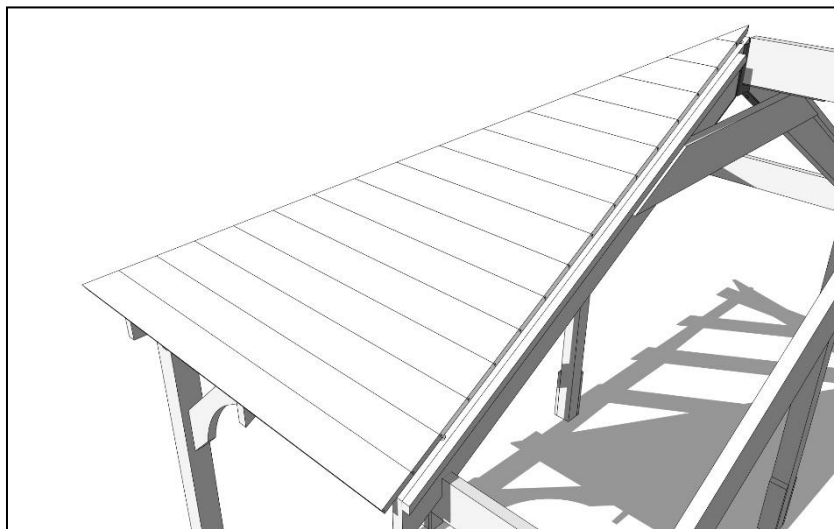
# THE CLIPSHAM GAZEBO

## Step 41



Take the next smallest piece of T&G and slot it into place above the previous piece. Line it up and fix into place as before.

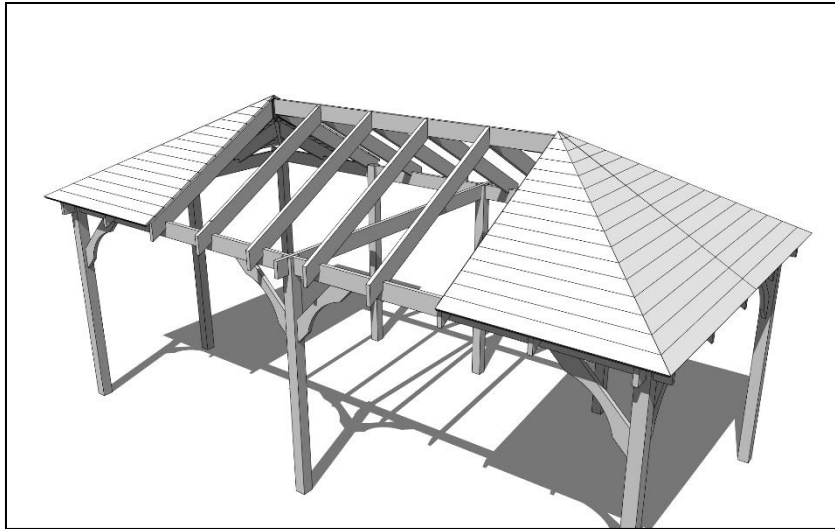
## Step 42



Continue to add progressively smaller slats, working your way up the roof until you have reached the apex.

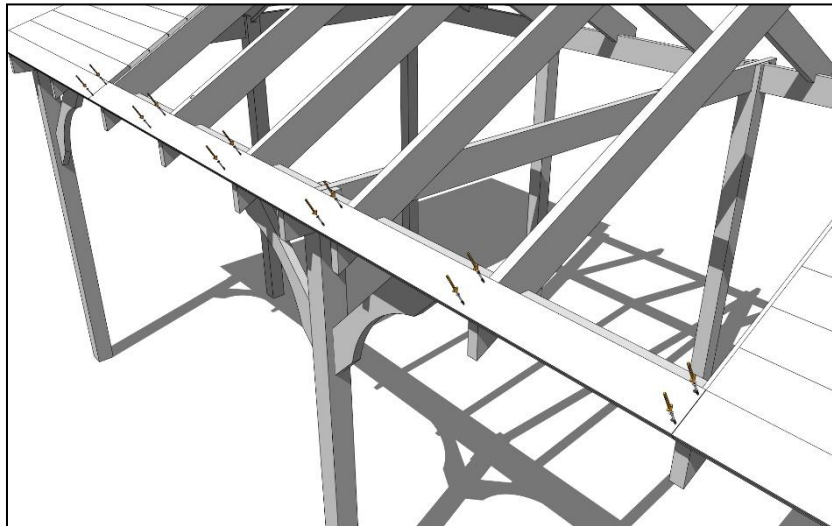
# THE CLIPSHAM GAZEBO

## Step 43



Repeat the previous T&G steps for the remaining corner sections of the roof until each end is totally clad with T&G.

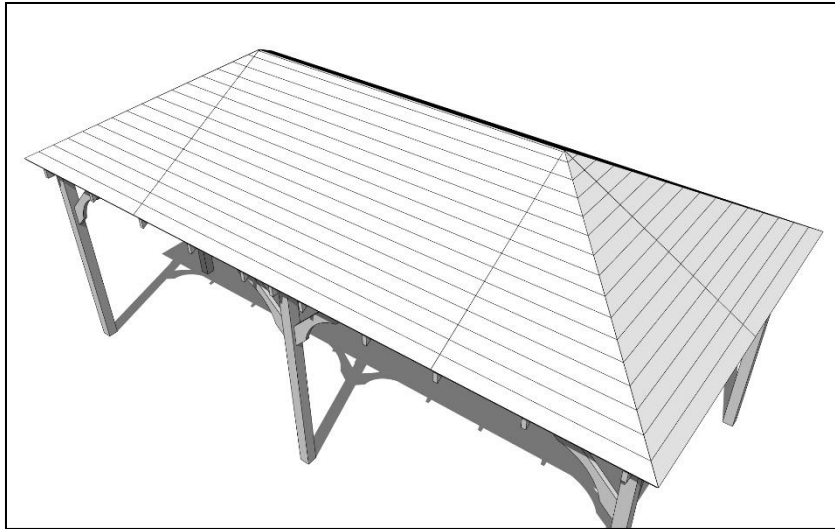
## Step 44



Add one of the straight T&G slats, tongue side uppermost, and align it with the existing corner T&G slats, fixing it in place with a pair of 40mm screws through the slat into each rafter.

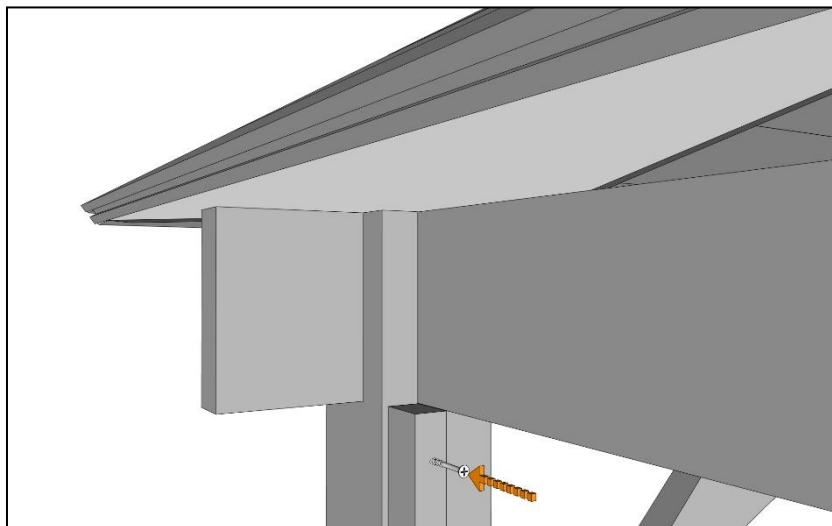
# THE CLIPSHAM GAZEBO

## Step 45



Work your way up each side of the roof, adding T&G slats, until the roof is completely clad. If you are installing wall sections proceed with Step 46, otherwise skip to step 51 and attach the pedestal panels (or Handrails if required).

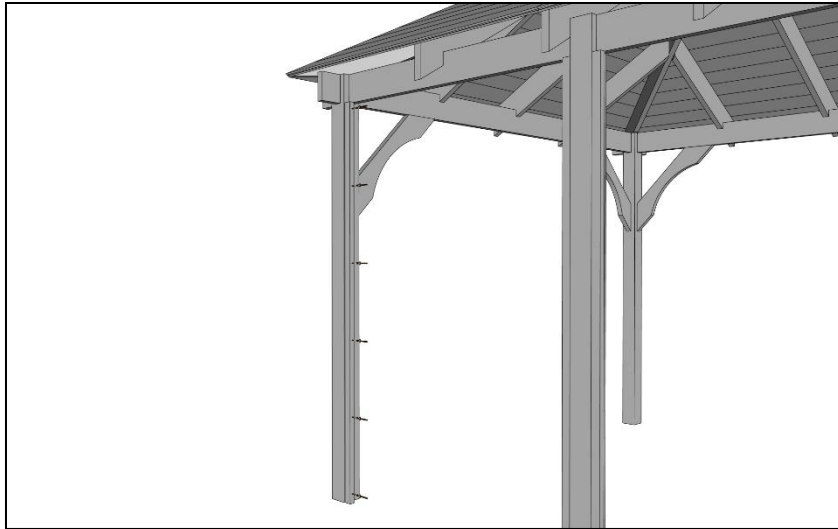
## Step 46



**NOTE:** Before adding the wall panels, it will be necessary to first remove any braces previously installed to keep the structure square during construction, where you intend to fit that wall section. On each of the wall sections prepare the posts for the cladding by adding a piece of batten, its narrower face up against and parallel to the post. The inner face of the batten should flush against the underside of the rafter/runner with about 5mm of post showing at the rear edge.

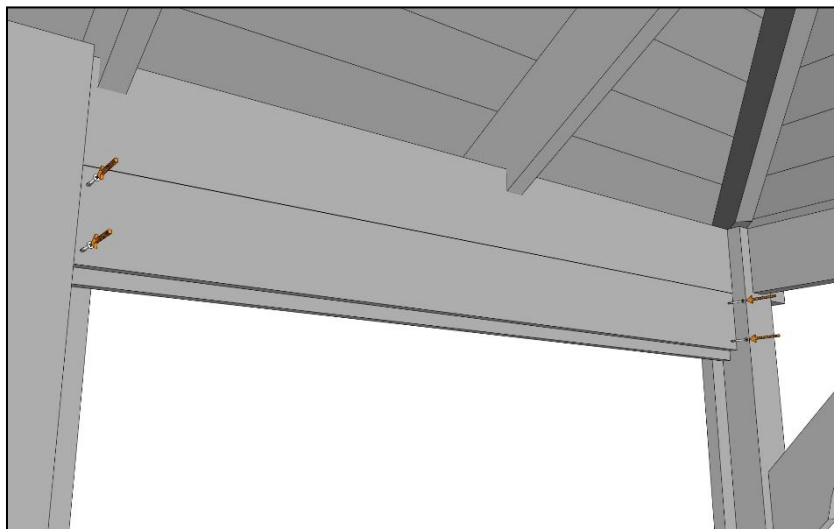
# THE CLIPSHAM GAZEBO

## Step 46



When lined up correctly, screw to the post with a 70mm screw at about 300mm intervals.

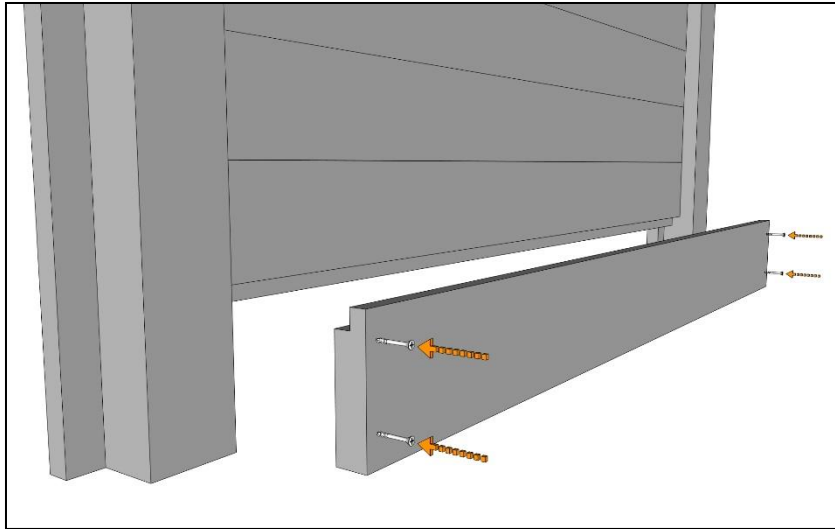
## Step 48



With all of the battens screwed into place, commence adding the wall cladding. Start at the top of the posts and position a bottom/top wall slat (this will only have one edge with a machined rebate) of the correct length and the rebate at the bottom and facing the interior of the gazebo. Butt it up against the battens and up against the underside of the rafter/runner before fixing each end to the battens with a pair of 50mm screws.

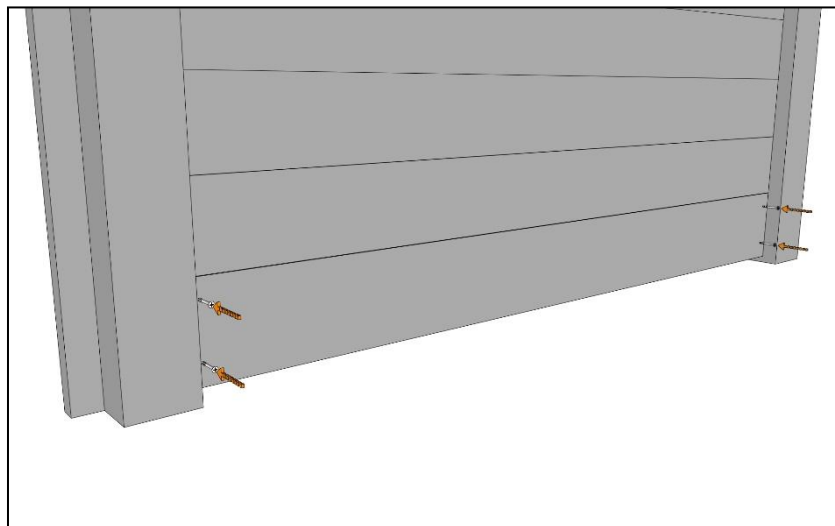
# THE CLIPSHAM GAZEBO

## Step 49



Work down the wall adding slats with a double rebate, aligning the rebates so each one slots into the previous one. One you reach the bottom of the wall and you can add only one more slat...

## Step 50

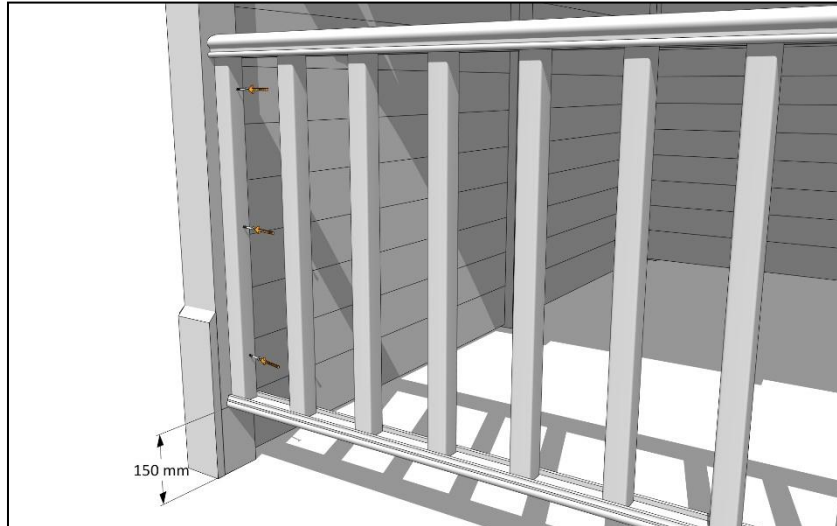


...use a bottom slat with single rebate to finish off the panel as shown here.

# THE CLIPSHAM GAZEBO

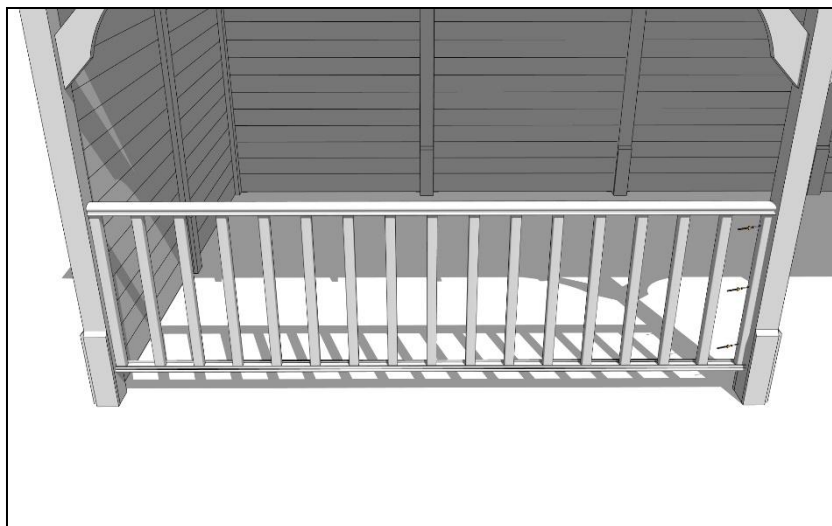
## FITTING HANDRAILS (OPTIONAL)

### Step 1



To add a railing section, take the appropriately sized panel and slide it between the posts, the underside around 150mm above ground level (this can also be higher or lower, depending on personal preference) and with the end baluster centred on the post. Now fix in place with 3 x 90mm woodscrews driven into the pre-drilled clearance holes as shown.

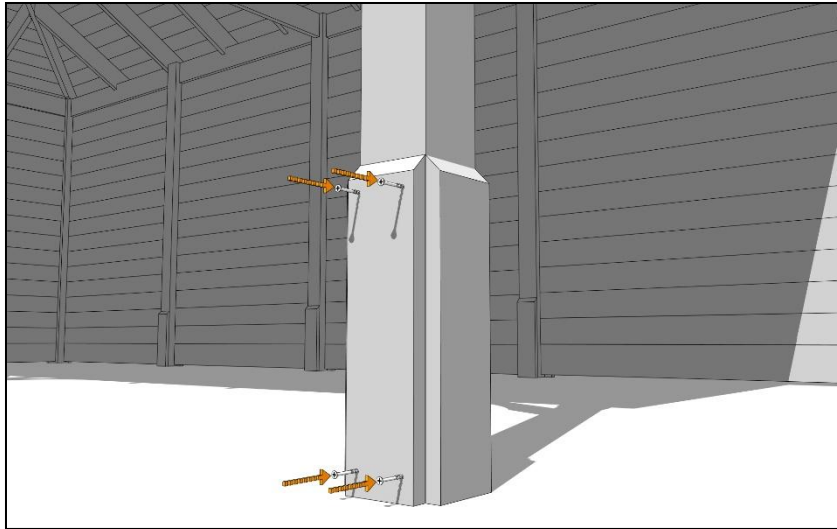
### Step 2



Use a spirit level to ensure the top of the railing is level before fixing the other end of the railing into place in the same fashion.

# THE CLIPSHAM GAZEBO

## Step 51



Once all wall panels and railings have been fitted, add pedestal panels to each visible face of the post bottoms. Align each panel against the post bottom and fix each corner in place with a 60mm screw.

## Step 52



Your gazebo is now ready for its felt roof.

Rutland County Garden Furniture Ltd, Ashbourne House, 2 Dovecote Meadows,  
Aslackby, Sleaford, Lincs, NG34 0HZ.  
Company No: 11025348 VAT No: 282569762

# ROOF COVERING

## Felt roof application

The following instructions are provided by our felt roof supplier. They provide all the information you need to add your roof felt shingles and the techniques required to finish the ridges.

# Fixing Instructions

## Helpful fixing guidelines

### For standard conditions and roof slopes

#### (15° to 85° pitch):

- Place one fixing nail 25mm from each end and one fixing nail directly above the centre line of each cut-out.
- All fixings should be on a line 25mm above the top of the cut-out. Proper fixing increases the strength and wind resistance of the shingle roof; so do not skimp on fixings. If a fixing will not enter the decking, use another in a nearby location.
- In very severe exposure areas and on steep roofs (60-85° pitch) use 8 nails per shingle, placing one fixing nail 25mm from each end and 2 nails per cut-out, spaced 25mm left and right above each cut-out.
- In severe weather, a small blob of IKOpro High-Performance Felt Lap Adhesive must be applied beneath the corners of each tab and over each nail head, for additional security before the heat of the sun activates the self-seal patches.
- Always leave a 2mm gap between the ends of individual shingles, to allow for minor adjustments in alignment.

### Understand Your Roof Pitch

- Knowing your roof pitch - the angle at which your roof slopes or pitches - enables you to best plan your project and determine the correct layers of underlay membrane to use.
- IKO Roofing Shingles are designed for application on pitched roofs 15° to 85° on non-habitable buildings.
- For non-habitable buildings of all roof pitches, a single layer of IKO Glass Fibre Underlay 20m (Type 3B) should be used as an underlay. This is laid parallel to the eaves with a 75mm side overlap and 100mm end laps. It is fixed using large headed clout nails at 300mm c/c along the lower edge and down all sloping sides.
- If your building is subject to Building Regulations, then please contact IKO Technical Services for further guidance.

## IKO Armourglass Plus Square Butt Roofing Shingles

### Instructions for fitting shingles on garden sheds and similar buildings

#### Step 1

#### Prepare the roof decking on to which you are fixing the shingles

Check that the roof decking of your structure is sound, clean, dry and stable before starting.



#### Step 2

#### Fix the felt underlay

An underlay consisting of rot proof IKO Glass Fibre Underlay 20m (Type 3B) should always be fixed below the shingles.

Starting at the eaves and working up the slope of the roof, unroll the IKO Glass Fibre Underlay parallel to the eaves. The underlay should extend beyond the roof edges and turn down the external edges by 50mm. Tack into position at 300 c/c along the lower edge and down all sloping sides. End laps should be 100mm and the vertical overlap 100mm.





**Step 3**

**Make and fix the shingle strips for sloping verges**

First make the shingle strips for the sloping verges. When using the IKO Armourglass Plus Square Butt Shingles cut off the tabs from a single shingles strip to create the sloping “verge-edging” pieces. You may prefer to cut through the shingle from the back and cut onto a board so as not to damage the knife blade or anything underneath. These “verge-edging” pieces should be applied first and positioned extending 50mm beyond the edge of the roof.

If a barge board is present on a garden building, it should be removed and reinstated when the shingles have been installed.

Gently fold these verge pieces over the roof edge, taking care to warm the material first in cold conditions so it is more pliable, nailing at 50mm centres. At the corners cut the IKO Roofing Shingles to allow an overlap when folded around the corner and nail this in position.

**Step 4**

**Position the eaves shingle strips**

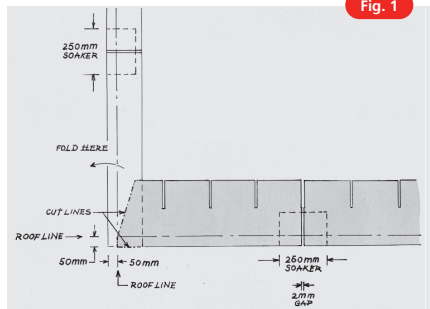
For the eaves sections use a full shingle strip, turned with the tabs facing up the roof. Position these strips overhanging the roof edge by 50mm. Starting at the left hand eaves corner, place the reversed shingle on to the roof extending 50mm beyond both edges (for ease of detailing at the corner, cut away the edge at an angle – as seen in Fig. 1). At the joints between individual shingle strips, use the tabs (that were previously cut to make the “verge edging”) as soaker pieces.

Place the eaves strips in position and gently fold over the roof edge and nail into final position. Ideally nails should be placed 25mm from each end, just below the line of the cut-outs, with three more nails on a horizontal line between the first two immediately below each cut-out. Holding the shingle in position with one hand, gently fold the overhang over the edge of the roof, extending beyond the underside of the decking to form a drip edge. Once folded, nail fix at 50mm centres.

Continue along the eaves of the roof in the same manner, using the tabs previously cut off of the shingles for the sloping verge as soaker pieces between each shingle strip.

You should cut away the corner of the shingle at an angle to prevent a build-up of laps.

Now all your perimeter detailing should be complete verges, corners and eaves.



**Fig. 1**

**Step 5**

**Alignment of the first shingle course**

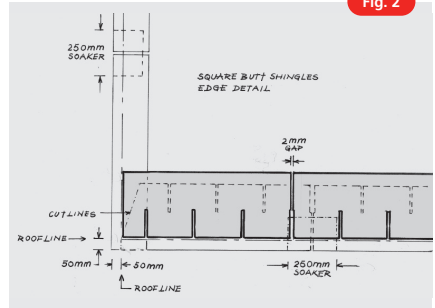
Now set out the position for the first shingle course using either a chalk line or straight edge approximately 5mm from the roof edge.



**Step 6**

**Position and fix the first shingle course**

Trim half, that is 125mm from the verge tab of the first shingle course (row), and continue with full shingles for the rest of the course. Leave a 2mm gap between shingle strips. See Fig. 2. Repeat this for all odd numbered courses.



**Fig. 2**

**Step 7**

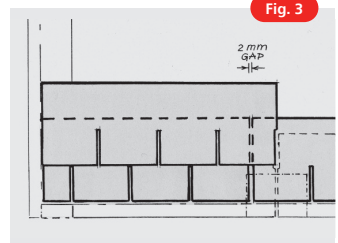
**Position and fix the higher courses**

Use whole shingle strips for the placing of the second and all further even numbered courses creating a staggered effect as shown in the illustration. See Fig. 3.

For normal fixing, shingles should be nailed 25mm above each cut-out and 25mm in from each edge.

Continue to fix the shingle strips up the roof, creating a staggered effect. The bottom edge should just overlap the top of the cut-outs of the underlying shingles so that there will be approximately 145mm of each shingle exposed.

Roofing adhesives can be used sparingly, covering the nail heads of individual fixing points and in the corner of each tab. This also gives added security in exposed locations.



**Fig. 3**

**Step 8**

**Cut IKO Roofing Shingles to create ridge shingles**

To finish the roof we make the ridge capping. For the ridge, IKO Roofing Shingles must be cut from the shingle strips, inline with the cut-outs. See Fig. 4.

Four ridge shingles can be cut from each shingle strip. Shingles can be more readily cut if scored on the back, allowing the shingle to separate away easily. Alternatively you can cut from the front, or mineral side (as shown).

To assist in making the ridge shingles lay flat, make secondary cut lines as shown in the illustration.



**Step 9**

**Alignment of the ridge shingles**

Use a chalk-line or straight edge to ensure the correct positioning of the individual ridge shingles.



**Step 10**

**Position and fixing of ridge shingles**

On the ridge of the roof each ridge shingle should overlap the previous one, as shown, exposing approximately 145mm.

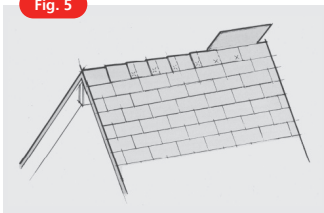


**Step 11**

**Seal the lap joints in the ridge shingles**

A bead of IKOpro High-Performance Felt Lap Adhesive should be used to seal the joint. Bed down onto 25mm strips of IKOpro High-Performance Felt Lap Adhesive to seal the open ends.

**Fig. 5**



**Step 12**

**Position and fix of the ridge shingles**

Continue to fix the ridge shingles along the roof ridge, bending lengthways down the centre to achieve equal exposure on both sides of the ridge as shown in Fig. 5. In cold weather remember to warm the shingles before folding. Seal the lap and nail fixing on both sides.



**Shingle application in valleys**

Cover the valley with the 1m wide IKO Glass Fibre Underlay 20m (Type 3B). Vertical laps if unavoidable should be a minimum of 300mm and sealed with IKOpro High-Performance Felt Lap Adhesive. Nail at 400mm intervals 25mm from the edge. Then lay the main roof underlay so that it goes over the valley and overlaps the adjacent roof plane by 300mm. Cut this parallel to the valley then seal with IKOpro High-Performance Felt Lap Adhesive. The underlay on the opposite roof plane would similarly overshoot the valley by 300mm and would also be cut parallel and then sealed with IKOpro High-Performance Felt Lap Adhesive. Do not nail within 150mm of the valley centreline. For best performance, start applying shingles on the roof plane with the lower slope or biggest surface. The starter strip must be woven (extend 250mm onto adjoining roof plane). Do not nail within 150mm of the valley centreline. Use one extra nail at the end of each shingle crossing the valley. After completing this roof plane, snap a chalk line 50mm from the centre line on the roof plane still to cover. Apply the shingles onto the second plane, trim shingles to the line and cut a 50mm triangle off the top corner to direct water into the valley. Glue the valley end of each shingle with IKOpro High-Performance Felt Lap Adhesive. Do not nail within 150mm of the valley centreline. Always arrange layers so that water can run unobstructed to the gutter.

**Step 13**

**The Completed Job**

IKO Roofing Shingles provide a long lasting, attractive, decorated waterproofing finish to a wide variety of garden buildings.



# THE CLIPSHAM GAZEBO

## Step 53



Your Clipsham Gazebo is now complete.

WE HOPE THAT YOU FOUND YOUR PRODUCT QUICK AND EASY TO ASSEMBLE BUT IF NOT AND YOU REQUIRE ANY FURTHER ASSISTANCE OR HAVE ANY QUESTIONS YOU CAN CONTACT US BY TELEPHONE ON: 01778 440803

EMAIL: [INFO@RUTLANDCOUNTYGARDENFURNITURE.CO.UK](mailto:INFO@RUTLANDCOUNTYGARDENFURNITURE.CO.UK)

[WWW.RUTLANDCOUNTYGARDENFURNITURE.CO.UK](http://WWW.RUTLANDCOUNTYGARDENFURNITURE.CO.UK)

Rutland County Garden Furniture Ltd, Ashbourne House, 2 Dovecote Meadows,  
Aslackby, Sleaford, Lincs, NG34 0HZ.  
Company No: 11025348 VAT No: 282569762